

SPECIFICATION SHEET

Sahara 1200mm 2 Drawer Wall Vanity

Code: 10154

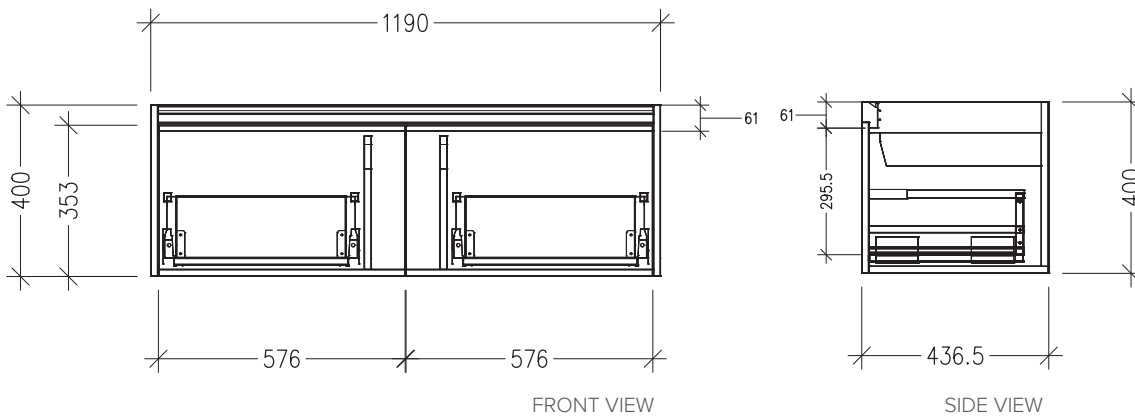
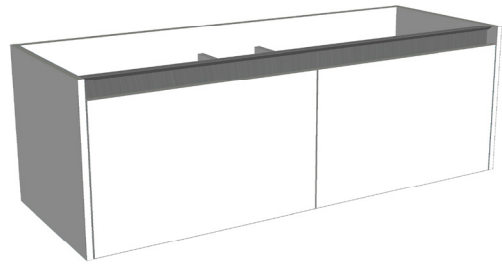
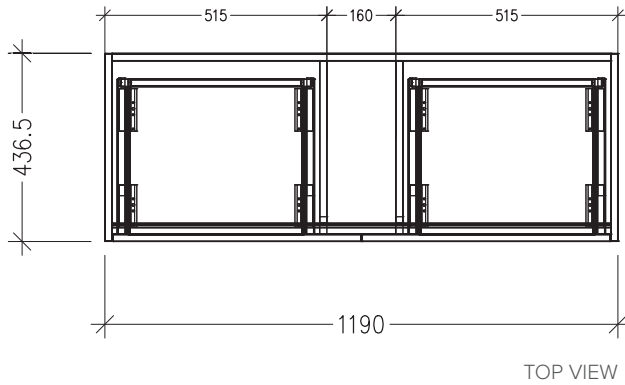


Features

- 2 Drawer Wall Hung
- Cabinet with Extrusion
- Centre Basin
- Dimensions: H420 x W1200 x D465
- Designed & Assembled in NZ

Technical Details

Note: All measurements shown are in millimetres. Sizes are nominal.



SPECIFICATION SHEET

Sahara 1200mm 2 Drawer Wall Vanity

Code: 10154

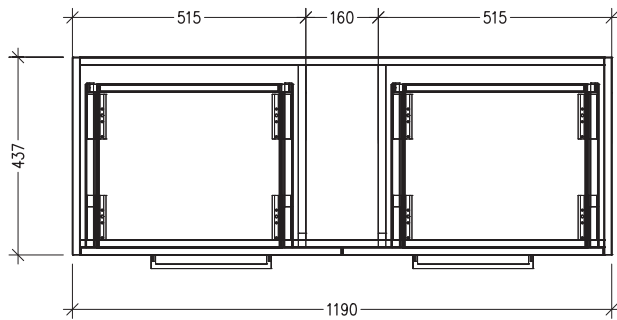


Features

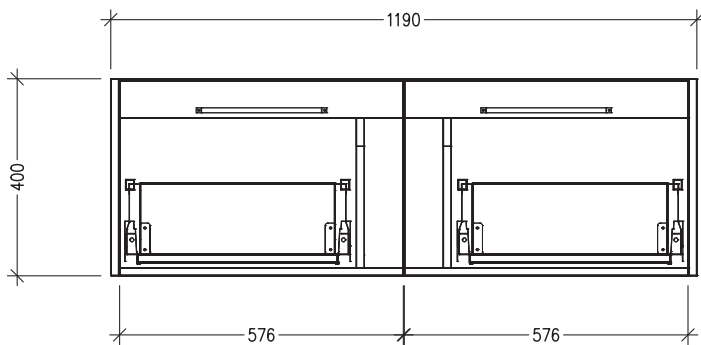
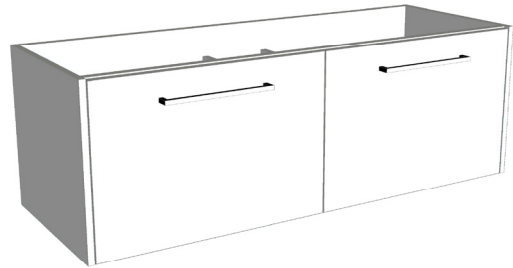
- 2 Drawer Wall Hung
- Cabinet with Handle
- Centre Basin
- Dimensions: H420 x W1200 x D465
- Designed & Assembled in NZ

Technical Details

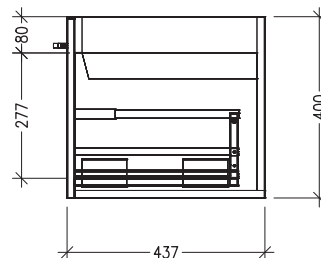
Note: All measurements shown are in millimetres. Sizes are nominal.



TOP VIEW



FRONT VIEW



SIDE VIEW

SPECIFICATION SHEET

Sahara 1200mm 2 Drawer Wall Vanity

Code: 10154

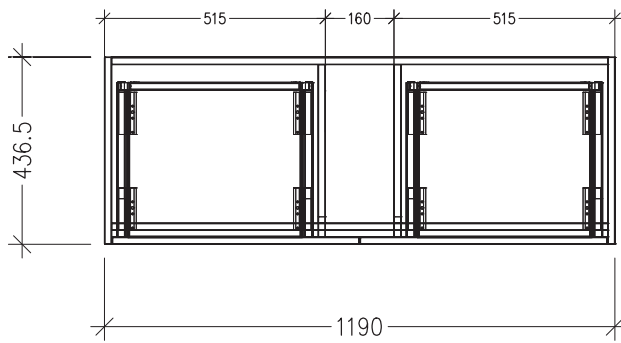


Features

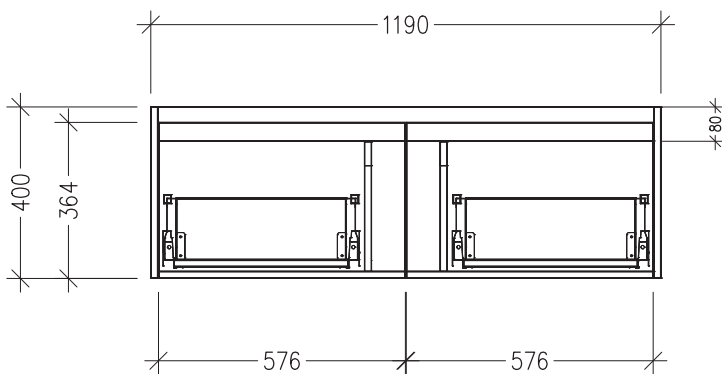
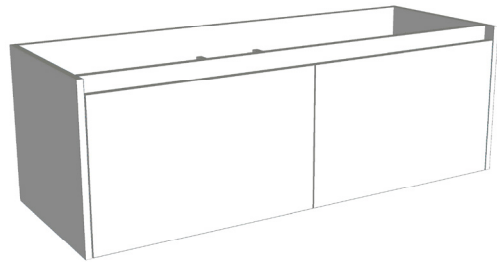
- 2 Drawer Wall Hung
- Cabinet with Negative Detail
- Centre Basin
- Dimensions: H420 x W1200 x D465
- Designed & Assembled in NZ

Technical Details

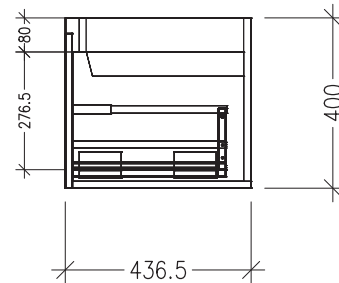
Note: All measurements shown are in millimetres. Sizes are nominal.



TOP VIEW



FRONT VIEW



SIDE VIEW