

NORFOLK 1500 DB DOUBLE DWR FLOOR VANITY

PRODUCT SPECIFICATIONS



CABINET

INSTALLATION	Floor Standing
CONFIGURATION	4 soft-close Drawers
MATERIAL	Moisture Resistant Board
WIDTH (mm)	1490
DEPTH (mm)	445
HEIGHT (mm)	830
ORIGIN	Aotearoa / New Zealand

VANITY TOP - Double Bowl

FINISH	Gloss White
MATERIAL	Composite
TAP HOLE	Yes
OVERFLOW	No
WASTE SIZE	Suits 32mm and 40mm waste traps
WASTE INCLUDED	No
WIDTH (mm)	1500
DEPTH (mm)	460
ORIGIN	PRC
STANDARD APPROVAL	AS/NZS 1730:1996

PRODUCT CODES & FINISHES



4NOR15DDF01

White Melamine



4NOR15DDF02

Ultra Gloss White -
Front Panels Only



4NOR15DDF23

Baroque



4NOR15DDF25

Premium Oak



4NOR15DDF30

Hickory Walnut



4NOR15DDF31

Blackened Elm



4NOR15DDF32

Rural Oak



4NOR15DDF82

Nordic Ash



4NOR15DDF93

Charred Oak



4NOR15DDF95

Dark Oak

NOTES

- 5 year warranty *
- Cabinets made from moisture resistant board with PUR bonding technology are sustainably sourced from FSC certified NZ Radiata Pine.
- Waste cutout in top drawer(s) only.
- Included - Brushed Nickel handle(s).
- Optional Upgrade - Black or Gunmetal handle(s). **
- Optional - Pop-Up Waste. **

ALL MEASUREMENTS ARE NOMINAL.

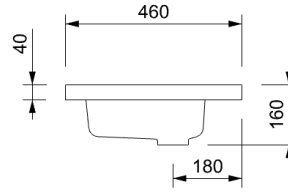
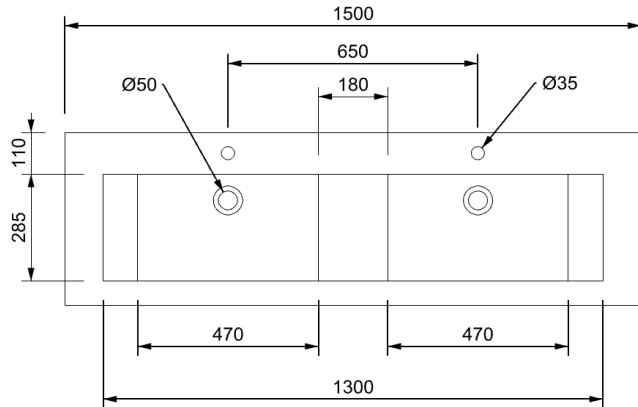
*WARRANTIES APPLY TO RESIDENTIAL DOMESTIC USE ONLY. WARRANTY VOID IF PRODUCT IS NOT INSTALLED ACCORDING TO OUR SPECIFICATIONS.

**FOR FURTHER INFORMATION ON INSTALLATION GUIDE AND PRODUCT OPTIONS PLEASE REFER TO THE WEBSITE.

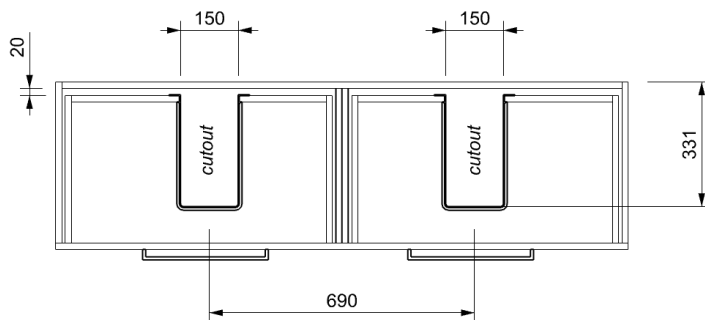
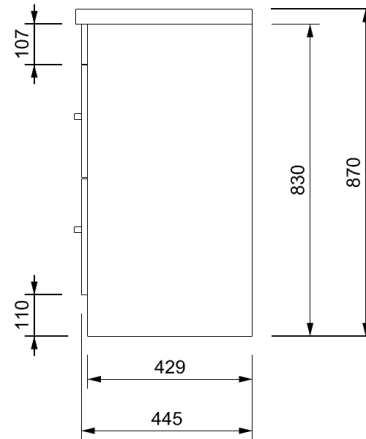
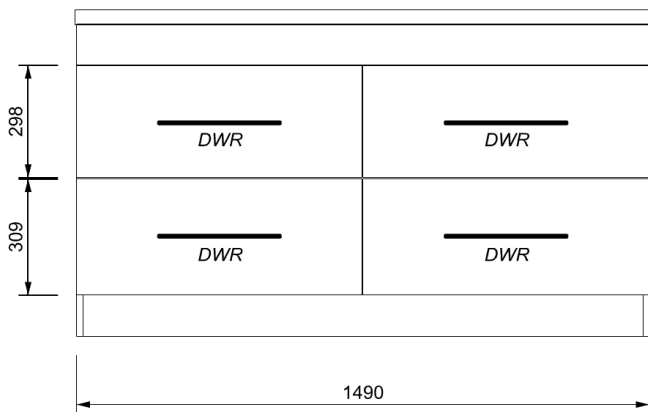
CLEARLITE.CO.NZ

NORFOLK 1500 DB DOUBLE DWR FLOOR VANITY

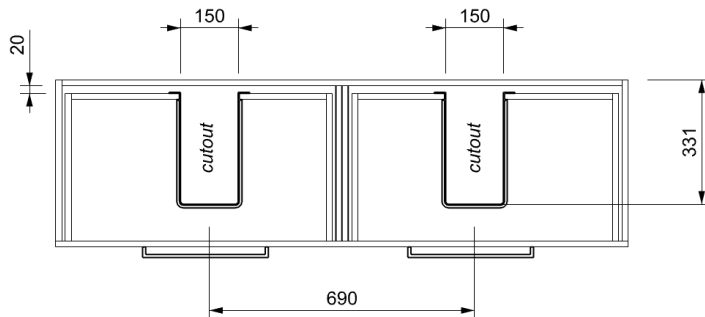
TECHNICAL SPECIFICATIONS



Internal Basin Depth
130 mm



Top Drawer



Bottom Drawer

ALL MEASUREMENTS ARE NOMINAL.

*WARRANTIES APPLY TO RESIDENTIAL DOMESTIC USE ONLY. WARRANTY VOID IF PRODUCT IS NOT INSTALLED ACCORDING TO OUR SPECIFICATIONS

**FOR FURTHER INFORMATION ON INSTALLATION GUIDE AND PRODUCT OPTIONS PLEASE REFER TO THE WEBSITE.

CLEARLITE.CO.NZ