

RAGLAN 750 CLASSIC FLOOR VANITY

PRODUCT SPECIFICATIONS



PRODUCT CODES & FINISHES



5RAG075FL01

White Melamine



5RAG075FL02

Ultra Gloss White -
Front Panels Only



5RAG075FL23

Baroque



5RAG075FL25

Premium Oak



5RAG075FL30

Hickory Walnut



5RAG075FL31

Blackened Elm



5RAG075FL32

Rural Oak



5RAG075FL82

Nordic Ash



5RAG075FL93

Charred Oak



5RAG075FL95

Dark Oak

CABINET

INSTALLATION	Floor Standing
CONFIGURATION	2 soft-close Drawers & 1 soft-close Door
MATERIAL	Moisture Resistant Board
WIDTH (mm)	740
DEPTH (mm)	330
HEIGHT (mm)	770
ORIGIN	Aotearoa / New Zealand

VANITY TOP

FINISH	Gloss White
MATERIAL	Composite
TAP HOLE	Yes
OVERFLOW	Yes
WASTE SIZE	Suits 32mm and 40mm waste traps
WASTE INCLUDED	No
WIDTH (mm)	750
DEPTH (mm)	470
ORIGIN	PRC
STANDARD APPROVAL	AS/NZS 1730:1996

NOTES

- 5 year warranty *
- Cabinets made from moisture resistant board with PUR bonding technology are sustainably sourced from FSC certified NZ Radiata Pine.
- Included - Internal Shelf. (see Tech Specs.)
- Included - Brushed Nickel handle(s).
- Optional Upgrade - Black or Gunmetal handle(s). **
- Optional - Pop-Up Waste. **
- Optional - Left Hand Drawer(s). **

ALL MEASUREMENTS ARE NOMINAL.

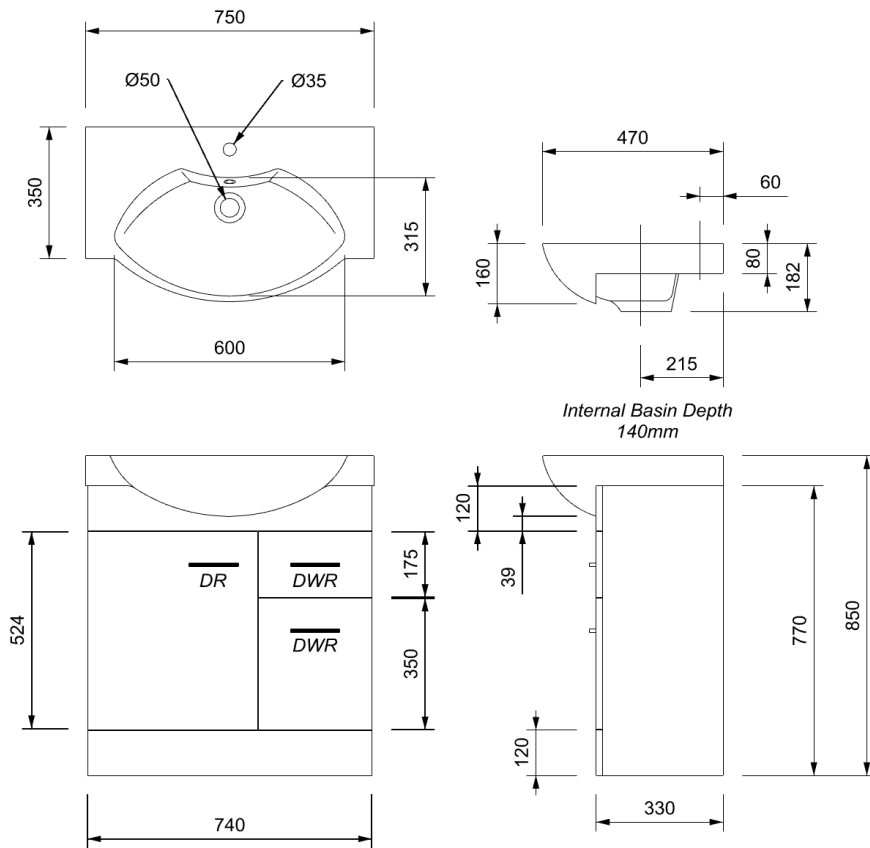
*WARRANTIES APPLY TO RESIDENTIAL DOMESTIC USE ONLY. WARRANTY VOID IF PRODUCT IS NOT INSTALLED ACCORDING TO OUR SPECIFICATIONS.

**FOR FURTHER INFORMATION ON INSTALLATION GUIDE AND PRODUCT OPTIONS PLEASE REFER TO THE WEBSITE.

CLEARLITE.CO.NZ

RAGLAN 750 CLASSIC FLOOR VANITY

TECHNICAL SPECIFICATIONS



ALL MEASUREMENTS ARE NOMINAL.

*WARRANTIES APPLY TO RESIDENTIAL DOMESTIC USE ONLY. WARRANTY VOID IF PRODUCT IS NOT INSTALLED ACCORDING TO OUR SPECIFICATIONS

**FOR FURTHER INFORMATION ON INSTALLATION GUIDE AND PRODUCT OPTIONS PLEASE REFER TO THE WEBSITE.

CLEARLITE.CO.NZ