

RAGLAN 900 CLASSIC FLOOR VANITY

PRODUCT SPECIFICATIONS



CABINET

INSTALLATION	Floor Standing
CONFIGURATION	2 soft-close Drawers & 2 soft-close Doors
MATERIAL	Moisture Resistant Board
WIDTH (mm)	890
DEPTH (mm)	330
HEIGHT (mm)	770
ORIGIN	Aotearoa / New Zealand

VANITY TOP

FINISH	Gloss White
MATERIAL	Composite
TAP HOLE	Yes
OVERFLOW	Yes
WASTE SIZE	Suits 32mm and 40mm waste traps
WASTE INCLUDED	No
WIDTH (mm)	900
DEPTH (mm)	470
ORIGIN	PRC
STANDARD APPROVAL	AS/NZS 1730:1996

PRODUCT CODES & FINISHES



5RAG090FL01

White Melamine



5RAG090FL02

Ultra Gloss White -
Front Panels Only



5RAG090FL23

Baroque



5RAG090FL25

Premium Oak



5RAG090FL30

Hickory Walnut



5RAG090FL31

Blackened Elm



5RAG090FL32

Rural Oak



5RAG090FL35

Friar Grey



5RAG090FL82

Nordic Ash



5RAG090FL93

Charred Oak



5RAG090FL95

Dark Oak

NOTES

- 5 year warranty *
- Cabinets made from moisture resistant board with PUR bonding technology are sustainably sourced from FSC certified NZ Radiata Pine.
- Included - Internal Shelf. (see Tech Specs.)
- Included - Brushed Nickel handle(s).
- Optional Upgrade - Black or Gunmetal handle(s). **
- Optional - Pop-Up Waste. **
- Optional - Left Hand Drawer(s). **

ALL MEASUREMENTS ARE NOMINAL.

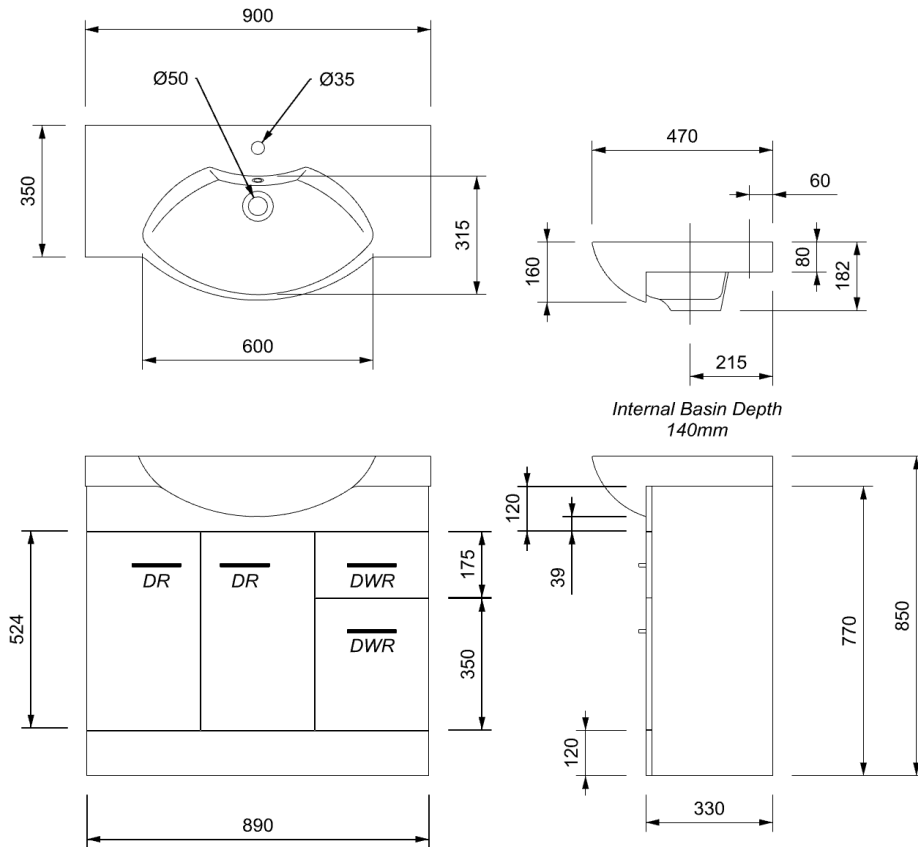
*WARRANTIES APPLY TO RESIDENTIAL DOMESTIC USE ONLY. WARRANTY VOID IF PRODUCT IS NOT INSTALLED ACCORDING TO OUR SPECIFICATIONS.

**FOR FURTHER INFORMATION ON INSTALLATION GUIDE AND PRODUCT OPTIONS PLEASE REFER TO THE WEBSITE.

CLEARLITE.CO.NZ

RAGLAN 900 CLASSIC FLOOR VANITY

TECHNICAL SPECIFICATIONS



ALL MEASUREMENTS ARE NOMINAL.

*WARRANTIES APPLY TO RESIDENTIAL DOMESTIC USE ONLY. WARRANTY VOID IF PRODUCT IS NOT INSTALLED ACCORDING TO OUR SPECIFICATIONS

**FOR FURTHER INFORMATION ON INSTALLATION GUIDE AND PRODUCT OPTIONS PLEASE REFER TO THE WEBSITE.

CLEARLITE.CO.NZ