

# RAGLAN 900 CLASSIC WALL VANITY

## PRODUCT SPECIFICATIONS



### CABINET

<b>INSTALLATION</b>	Wall Hung
<b>CONFIGURATION</b>	1 soft-close Drawer & 2 soft-close Doors
<b>MATERIAL</b>	Moisture Resistant Board
<b>WIDTH (mm)</b>	890
<b>DEPTH (mm)</b>	330
<b>HEIGHT (mm)</b>	472
<b>ORIGIN</b>	Aotearoa / New Zealand

### VANITY TOP

<b>FINISH</b>	Gloss White
<b>MATERIAL</b>	Composite
<b>TAP HOLE</b>	Yes
<b>OVERFLOW</b>	Yes
<b>WASTE SIZE</b>	Suits 32mm and 40mm waste traps
<b>WASTE INCLUDED</b>	No
<b>WIDTH (mm)</b>	900
<b>DEPTH (mm)</b>	470
<b>ORIGIN</b>	PRC
<b>STANDARD APPROVAL</b>	AS/NZS 1730:1996

### PRODUCT CODES & FINISHES



5RAG090WH01

White Melamine



5RAG090WH02

Ultra Gloss White -  
Front Panels Only



5RAG090WH23

Baroque



5RAG090WH25

Premium Oak



5RAG090WH30

Hickory Walnut



5RAG090WH31

Blackened Elm



5RAG090WH32

Rural Oak



5RAG090WH82

Nordic Ash



5RAG090WH93

Charred Oak



5RAG090WH95

Dark Oak

### NOTES

- 5 year warranty \*
- Cabinets made from moisture resistant board with PUR bonding technology are sustainably sourced from FSC certified NZ Radiata Pine.
- Included - Brushed Nickel handle(s).
- Optional Upgrade - Black or Gunmetal handle(s). \*\*
- Optional - Pop-Up Waste. \*\*
- Optional - Left Hand Drawer. \*\*

ALL MEASUREMENTS ARE NOMINAL.

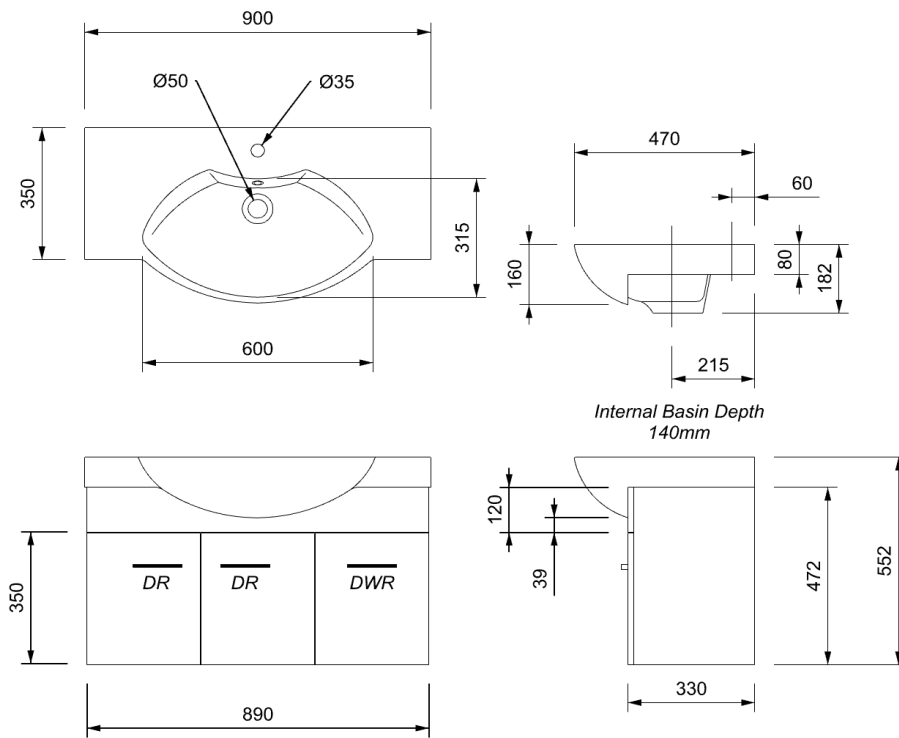
\*WARRANTIES APPLY TO RESIDENTIAL DOMESTIC USE ONLY. WARRANTY VOID IF PRODUCT IS NOT INSTALLED ACCORDING TO OUR SPECIFICATIONS.

\*\*FOR FURTHER INFORMATION ON INSTALLATION GUIDE AND PRODUCT OPTIONS PLEASE REFER TO THE WEBSITE.

CLEARLITE.CO.NZ

# RAGLAN 900 CLASSIC WALL VANITY

## TECHNICAL SPECIFICATIONS



ALL MEASUREMENTS ARE NOMINAL.

\*WARRANTIES APPLY TO RESIDENTIAL DOMESTIC USE ONLY. WARRANTY VOID IF PRODUCT IS NOT INSTALLED ACCORDING TO OUR SPECIFICATIONS

\*\*FOR FURTHER INFORMATION ON INSTALLATION GUIDE AND PRODUCT OPTIONS PLEASE REFER TO THE WEBSITE.

[CLEARLITE.CO.NZ](http://CLEARLITE.CO.NZ)