

PRODUCT SPECIFICATIONS

PACIFIC 900 DOUBLE DWR WALL VANITY



PRODUCT CODES & FINISHES



4PAC090DW01
White Melamine



4PAC090DW23
Baroque



4PAC090DW93
Charred Oak

CABINET

INSTALLATION	Wall hung
CONFIGURATION	2 soft-close drawers
MATERIAL	Moisture resistant board
WIDTH (mm)	890
DEPTH (mm)	445
HEIGHT (mm)	550
ORIGIN	Aotearoa / New Zealand

VANITY TOP

FINISH	Gloss White
MATERIAL	Vitreous China
TAP HOLE	Yes
OVERFLOW	Yes
WASTE SIZE	Suits 32mm and 40mm waste traps
WASTE INCLUDED	No
WIDTH (mm)	900
DEPTH (mm)	460
ORIGIN	PRC

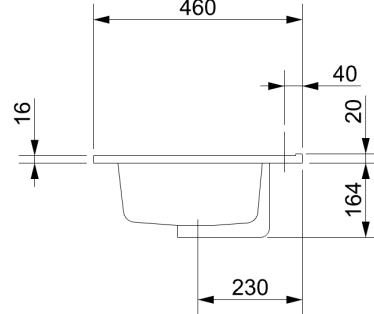
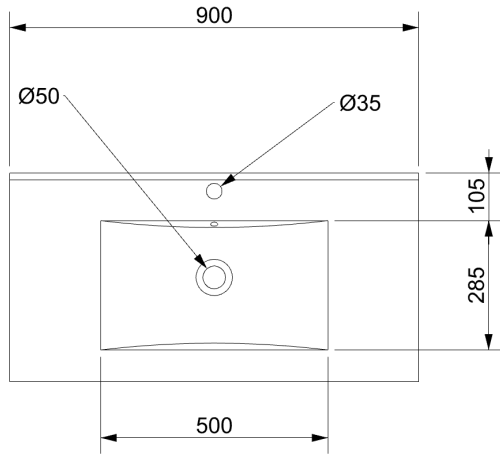
NOTES

- 5 year warranty *
- Cabinets made from moisture resistant board with PUR bonding technology are sustainably sourced from FSC certified NZ Radiata Pine.
- Included - Brushed Nickel handle(s).
- Optional - Pop-up Waste.**

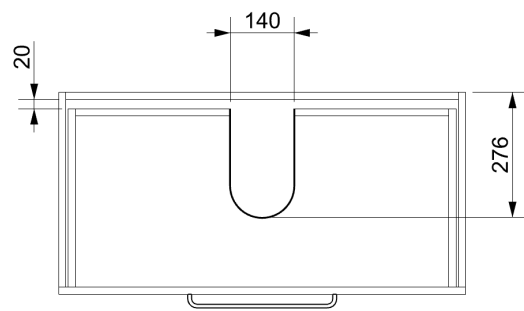
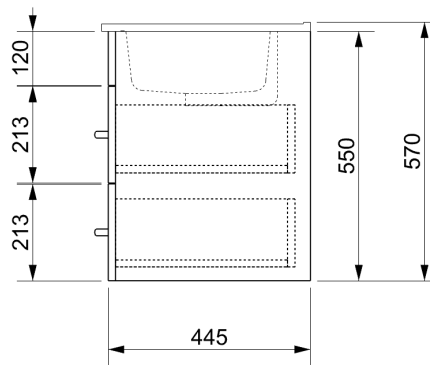
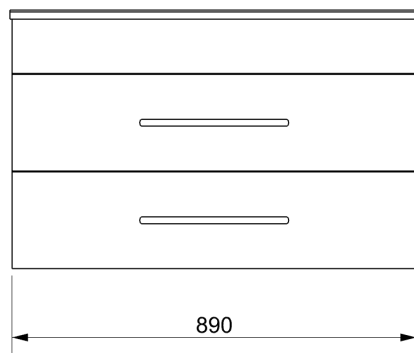
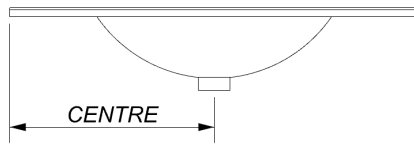
MAY 2024

ALL MEASUREMENTS ARE NOMINAL.
*WARRANTIES APPLY TO RESIDENTIAL DOMESTIC USE ONLY. WARRANTY IS VOID IF PRODUCT IS NOT INSTALLED ACCORDING TO OUR SPECIFICATIONS.
**REFER TO WEBSITE FOR FURTHER INFORMATION ON INSTALLATION GUIDE AND PRODUCT OPTIONS.
CLEARLITE.CO.NZ

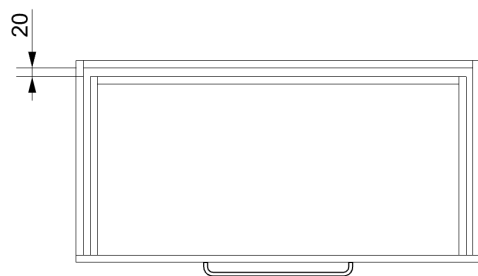
PACIFIC 900 DOUBLE DWR WALL VANITY



135 mm
INTERNAL BASIN DEPTH



TOP DRAWER



BOTTOM DRAWER

MAY 2024

ALL MEASUREMENTS ARE NOMINAL.
*WARRANTIES APPLY TO RESIDENTIAL DOMESTIC USE ONLY. WARRANTY IS VOID IF PRODUCT IS NOT INSTALLED ACCORDING TO OUR SPECIFICATIONS.
**REFER TO WEBSITE FOR FURTHER INFORMATION ON INSTALLATION GUIDE AND PRODUCT OPTIONS.
CLEARLITE.CO.NZ