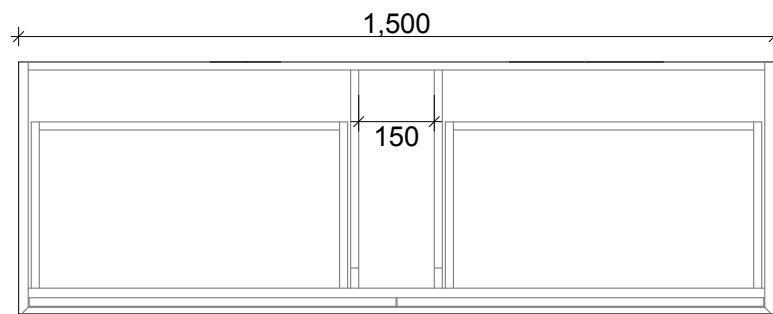
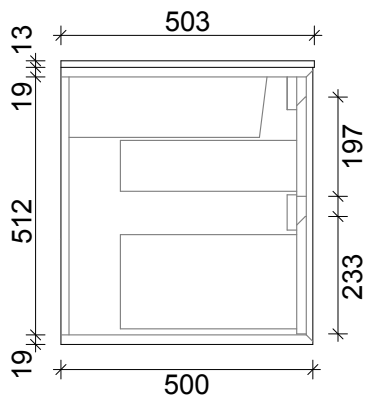
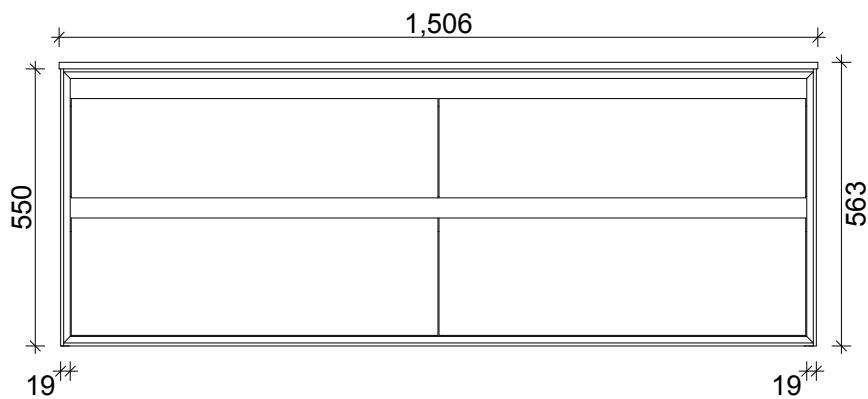


# SPECIFICATION SHEET

EDGE 1500 4 DRAW SINGLE BASIN WALL HUNG  
SOLID SURFACE TOP



TOP VIEW



**PRIMO BATHROOMWARE**

3 EDISON PLACE

(03) 384-2471

EMAIL: [enquiries@primobathroomware.co.nz](mailto:enquiries@primobathroomware.co.nz)