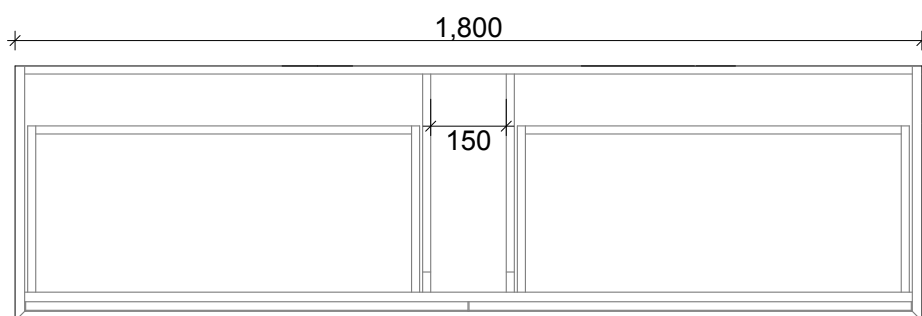
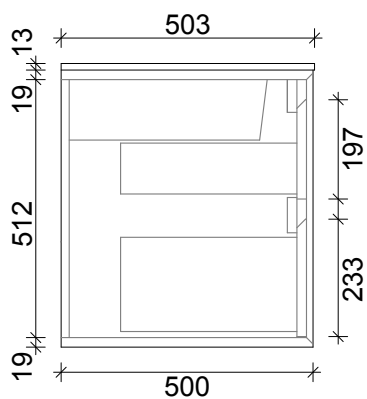
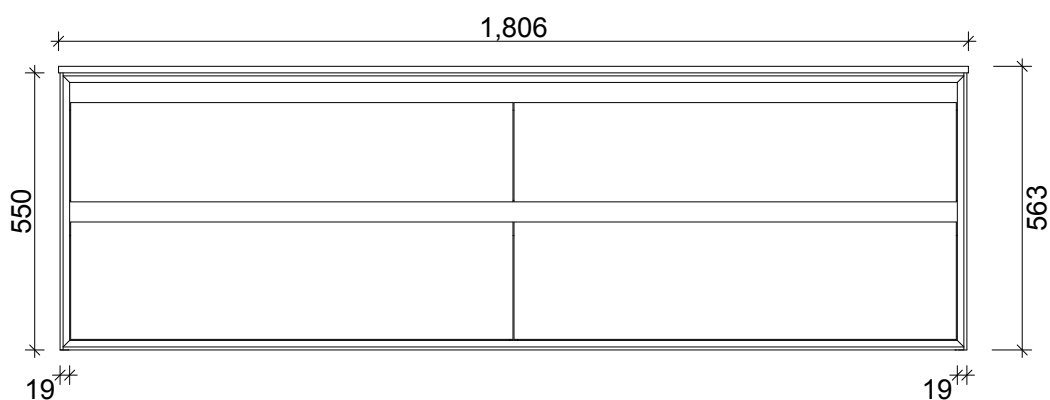


SPECIFICATION SHEET

EDGE 1800 4 DRAW SINGLE BASIN WALL HUNG
SOLID SURFACE TOP



TOP VIEW



PRIMO BATHROOMWARE

3 EDISON PLACE

(03) 384-2471

EMAIL: enquiries@primobathroomware.co.nz