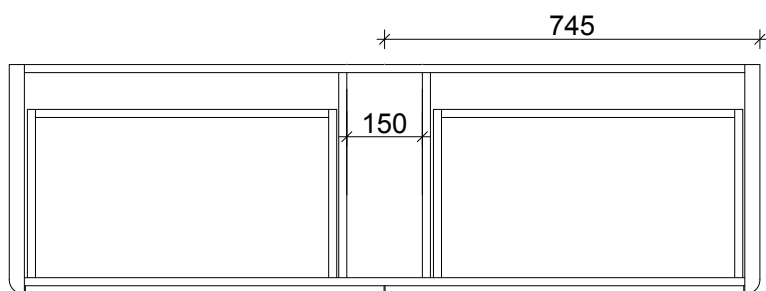
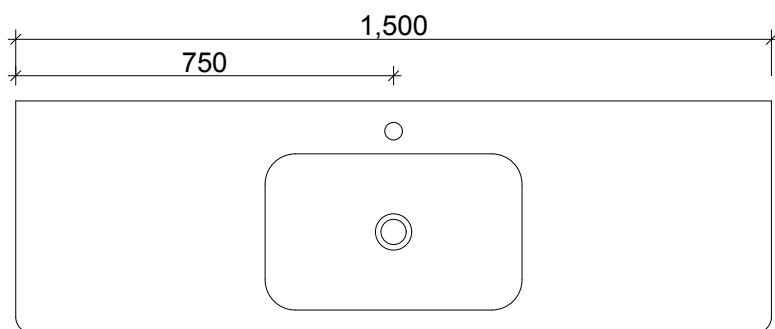
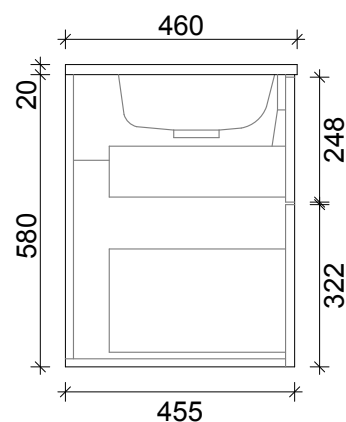
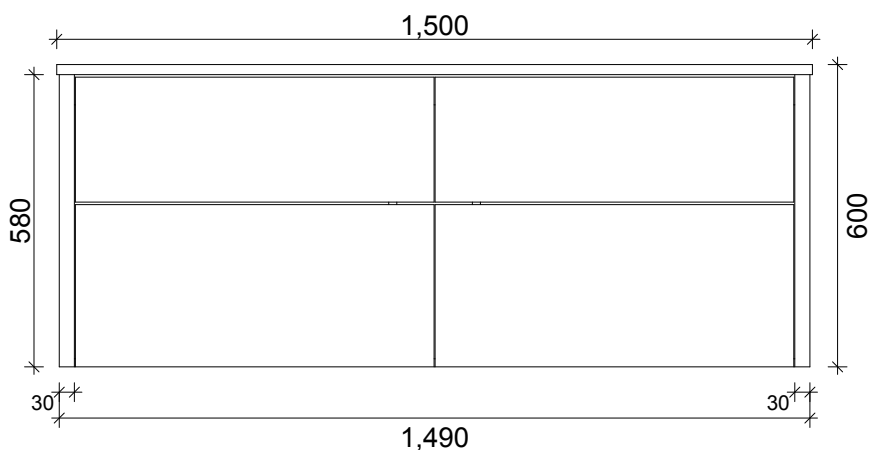
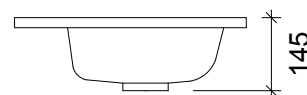


SPECIFICATION SHEET
EVO ARCO 1500 4 DRAW SINGLE BASIN WALL HUNG



TOP VIEW OF CABINET



PRIMO BATHROOMWARE
3 EDISON PLACE
(03) 384-2471
EMAIL: enquiries@primobathroomware.co.nz