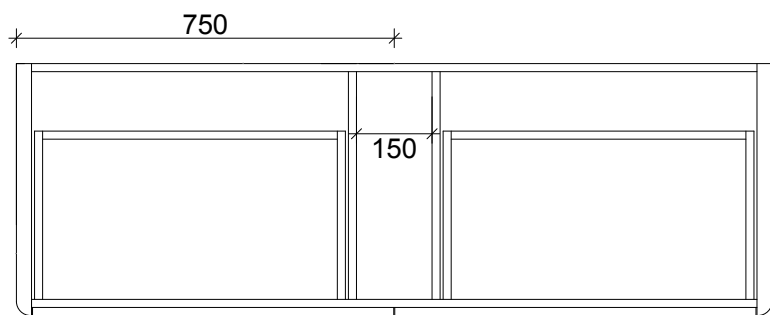
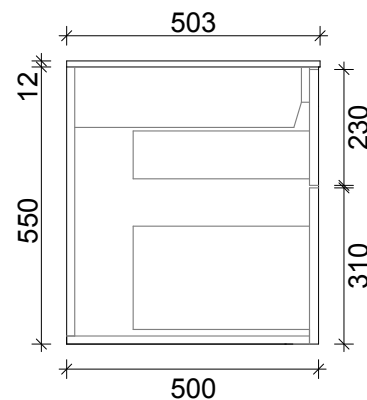
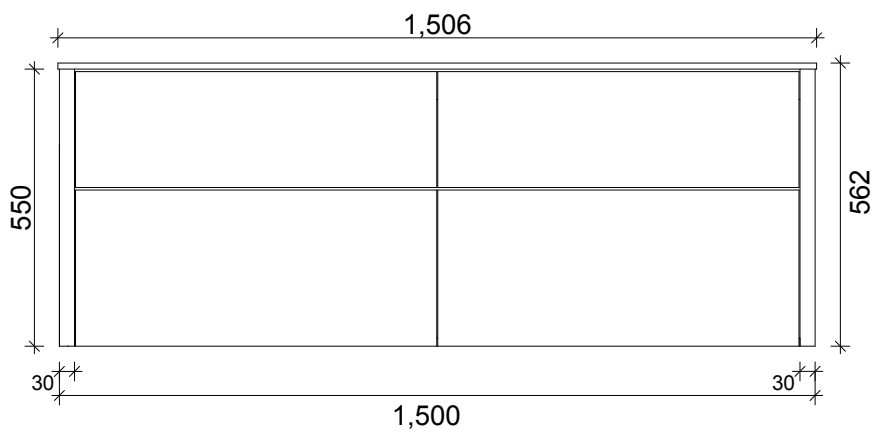


SPECIFICATION SHEET
EVO LARGO 1500 4 DRAW SINGLE BASIN
WALL HUNG SOLID SURFACE TOP



TOP VIEW



PRIMO BATHROOMWARE
3 EDISON PLACE
(03) 384-2471
EMAIL: enquiries@primobathroomware.co.nz