

## SAFETY

Please read these installation instructions carefully before proceeding.

Keep guide for future reference.

If you are unsure about any part of the installation, please contact our Technical Department on: 01460 258682.

Incorrect installation will invalidate the guarantee.

Please note: we recommend a flow rate no greater than 32L/min for use with this product. Ensure your shower unit does not exceed this\*.

Make sure there are no hidden pipes or cables in the floor or walls where you intend to drill.

Wear safety goggles, gloves for handling, appropriate clothing and footwear.

Handle with care.

This product can be installed on wooden or concrete floors.

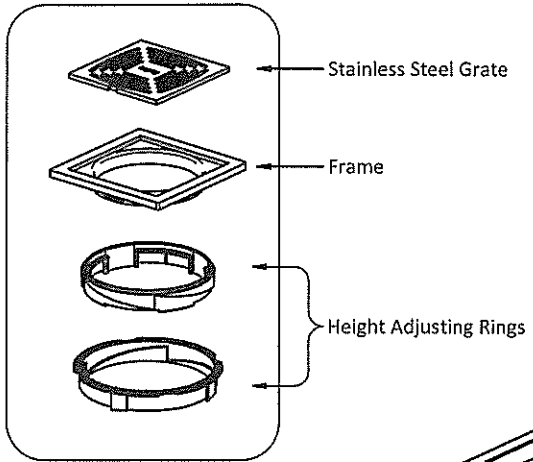
An Impey Waterproof Tanking Membrane must be applied when laying a tiled floor.

*\*Flow rates stated are maximum and are subject to variation depending on site conditions and Dec size. Site conditions include the type, position and number of shower sprays. All products must be installed strictly to manufacturers instructions and may be subject to change without prior notice. Please contact our technical department for further information.*

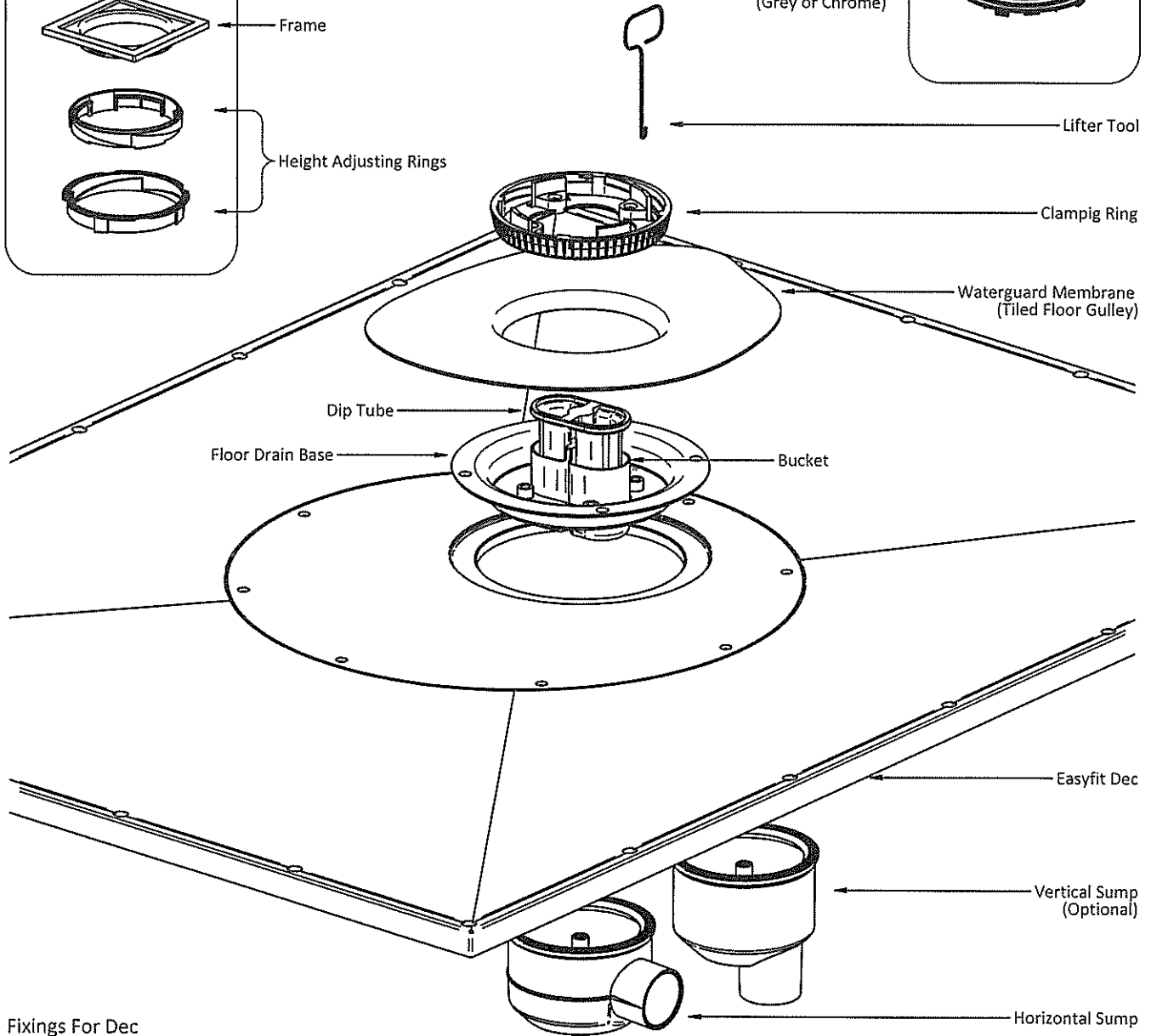
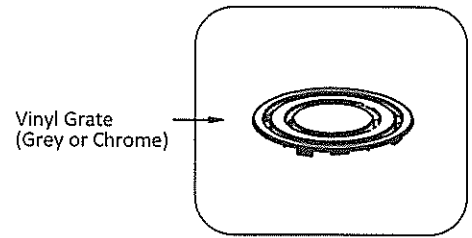
## EasyFit Dec Installation Guide Component Content List

Refer to installation guides supplied with floor drain, membrane and underfloor heating where applicable.

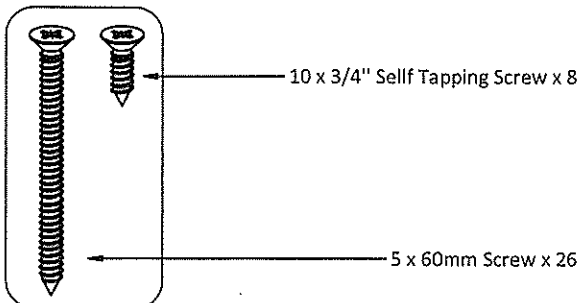
### Tiled Floor Drain



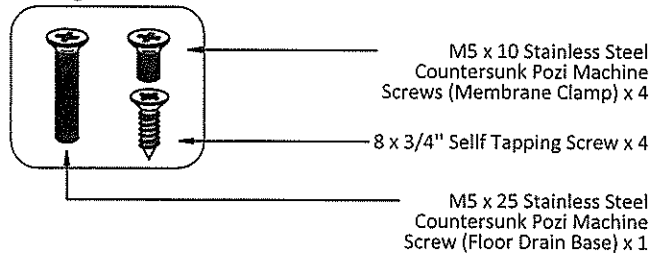
### Vinyl Floor Drain



### Fixings For Dec



### Fixings For Drain



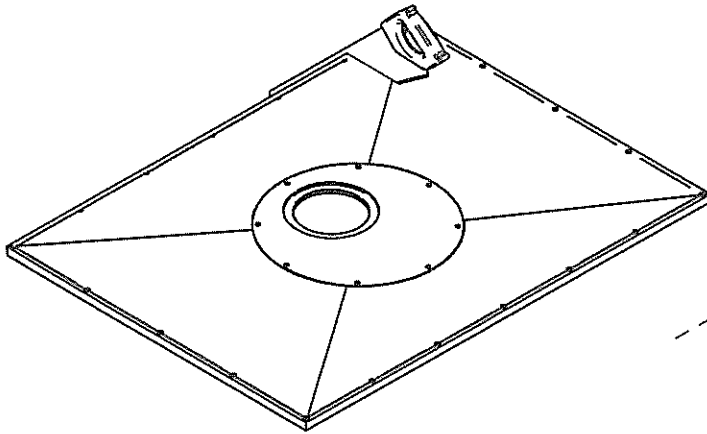


Fig.1  
Cut using an old or disposable handsaw.

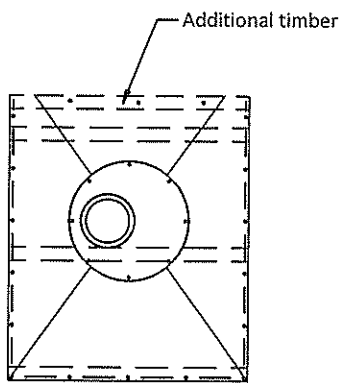
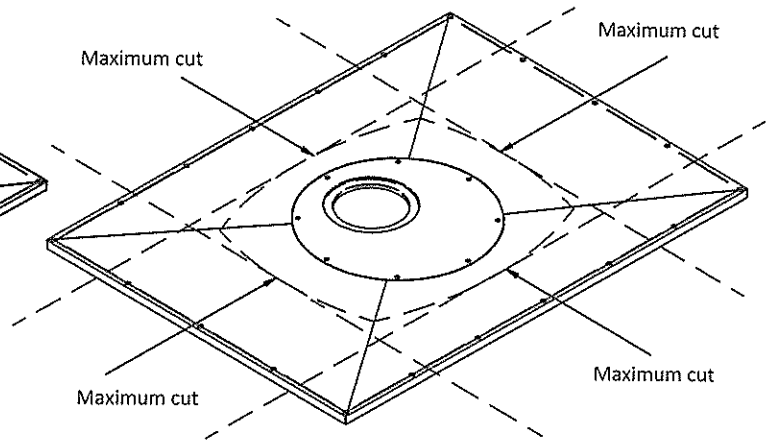


Fig.2  
Cut to length.

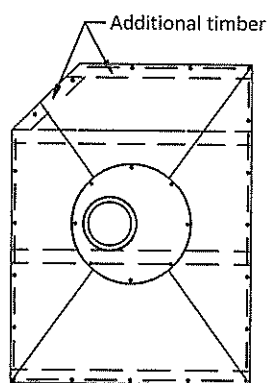


Fig.3  
Cut to accommodate diagonal wall.

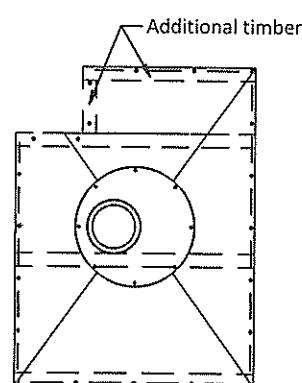


Fig.4  
Cut to accommodate drain point.

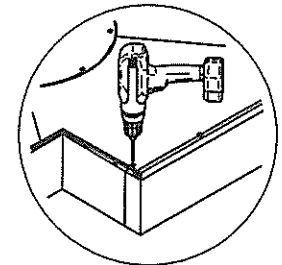


Fig.5  
Ensure cut edges are fixed.

Ensure all the cut edges are supported, then drill, countersink and screw the Dec to the joists below in around 200mm intervals (avoiding pipes, electric wires, etc.).

**Important: Do not cut the edges that adjoin surrounding floor.**

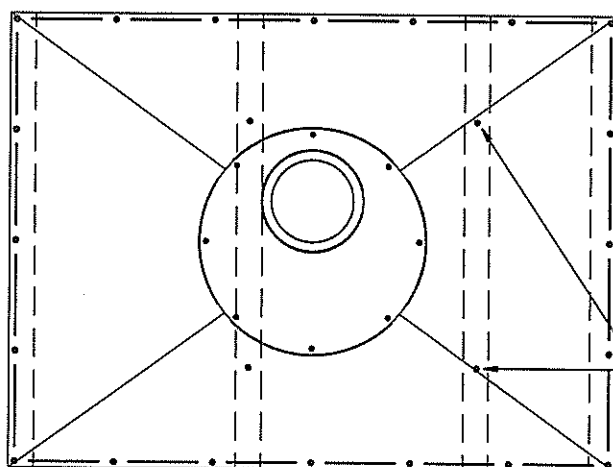
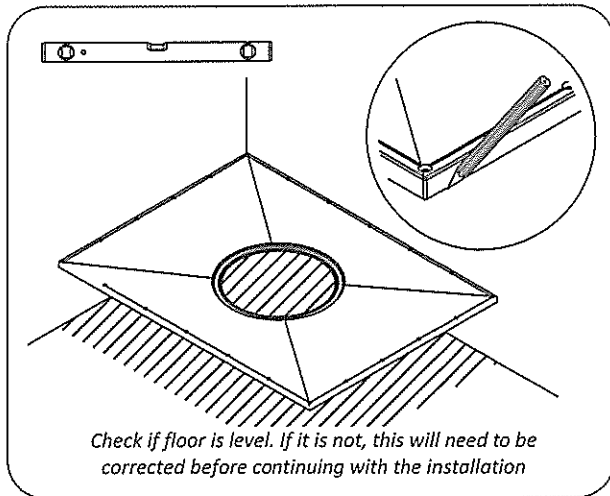
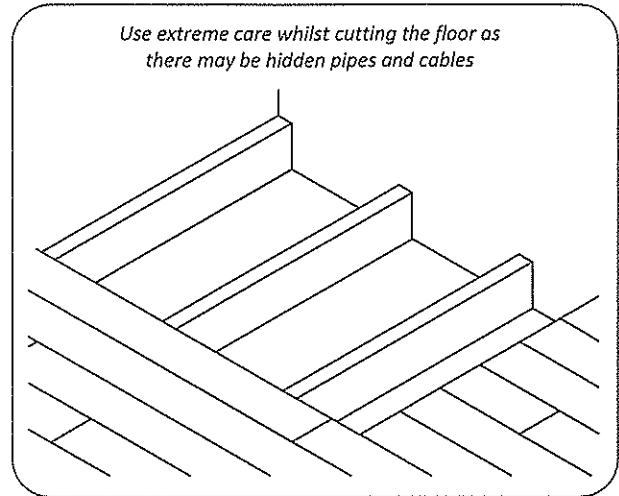


Fig.6  
If Dec is not in contact with joist/concrete floor you must drill out and countersink the Dec to ensure it does. Failure to do this will allow unacceptable movement and may cause floor tiles to crack or become loose.

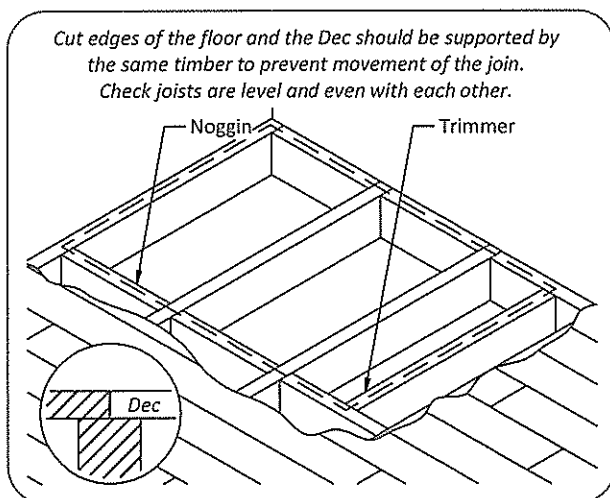
### Additional fixing points



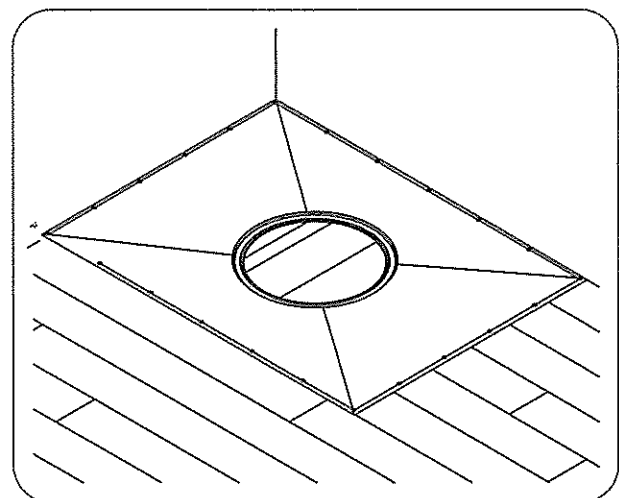
**1** Determine where the Dec is to be fitted. Place the Dec in the desired location on the floor and mark around the outer edge.



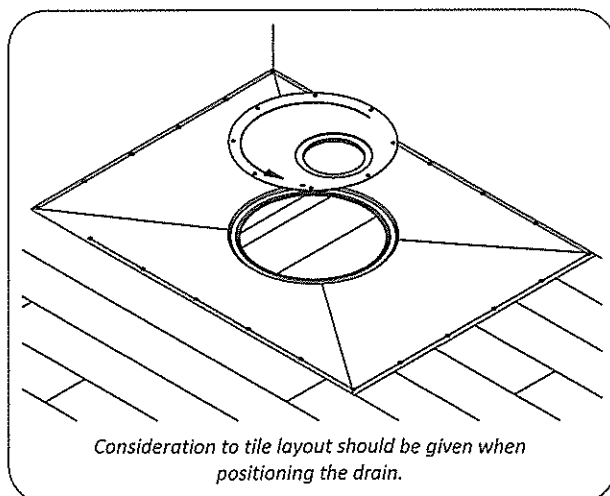
**2** Using suitable saw, cut along the outline, then remove the floorboards.



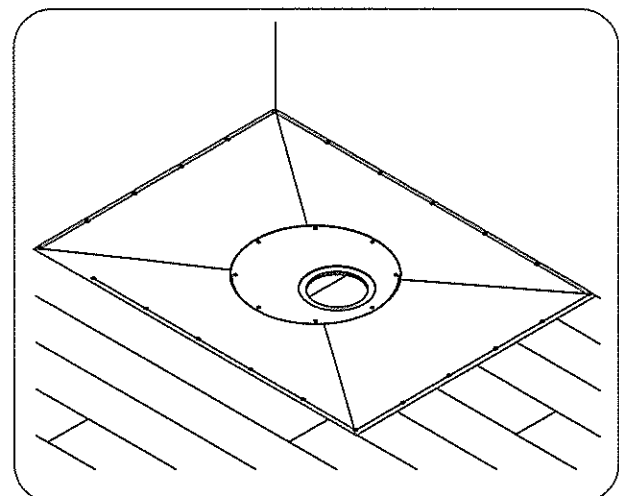
**3** Fit noggins and trimmers to support outer edges of the Dec.



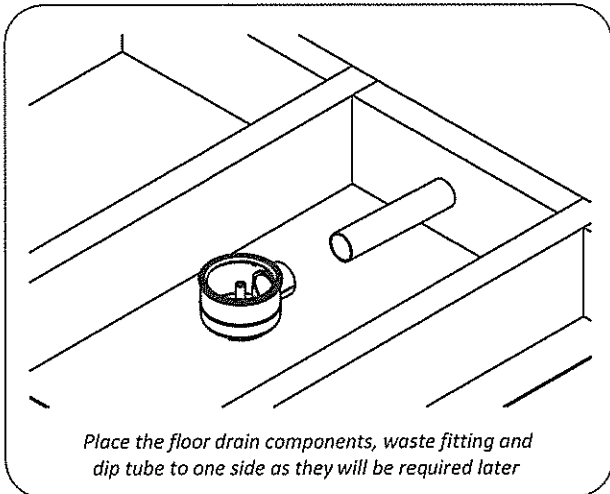
**4** Place the Dec onto joists and noggins to check, that it fits into the prepared area.  
**Note: Do not fix into place.**



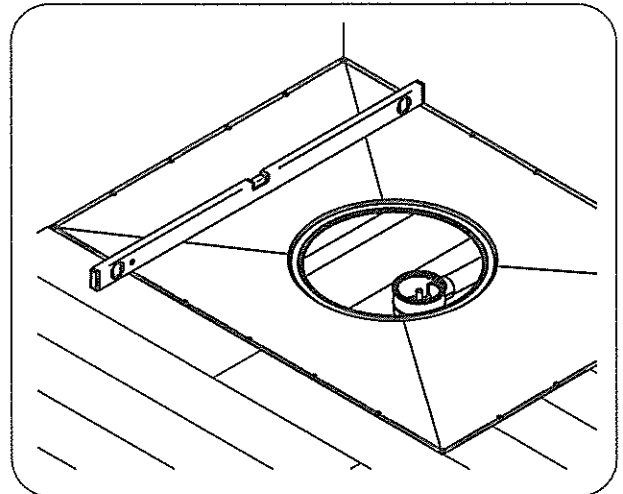
**5** Place the rotating plate onto the Dec. If the drain position interferes with a joist or any other obstacle simply rotate the plate to a suitable position.



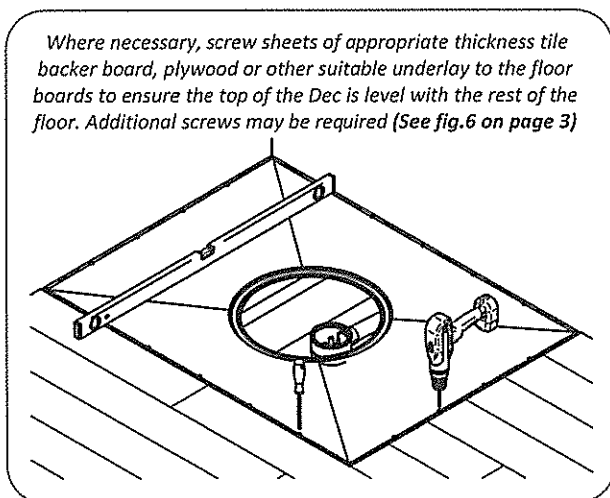
**6** Measure from the outer edges of the Dec to the centre of the drain. Use these dimensions to position the centre of the waste gully.



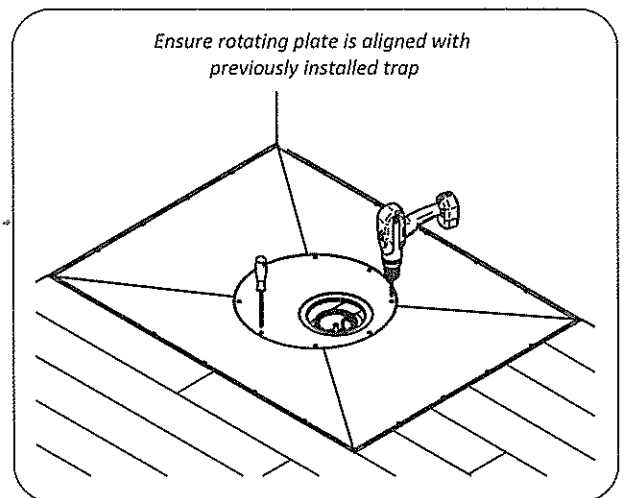
**7** Position the trap centre in the previously measured location (stage 6), then connect it to the waste pipe as shown.



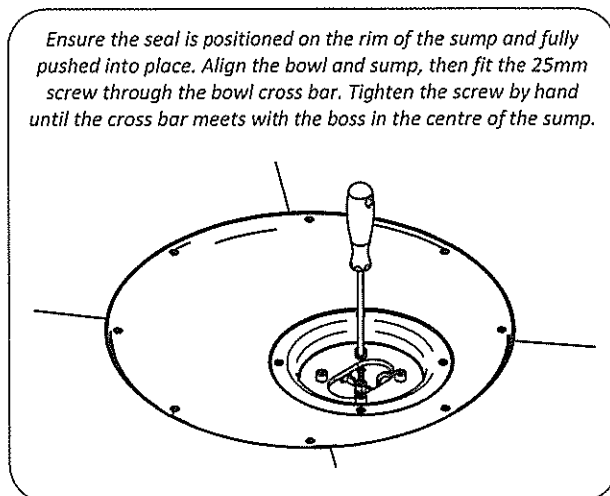
**8** Replace the Dec and ensure it's perfectly level. This is very important to achieve correct drainage. The surrounding floor must also be checked for level.



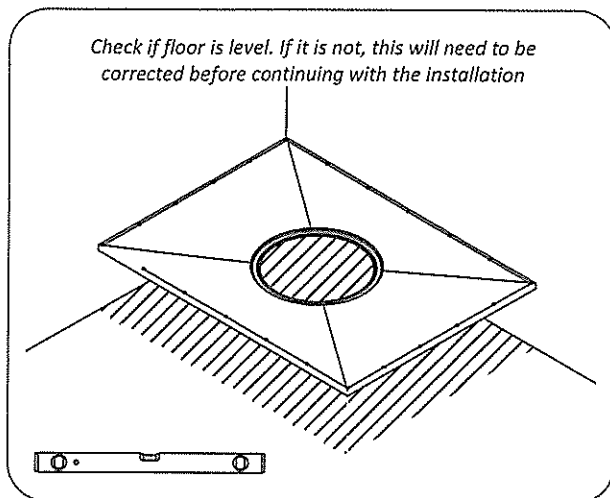
**9** Drill and screw the Dec to the joists/ noggins below using screws provided (5x60mm) ensuring the Dec is perfectly level.



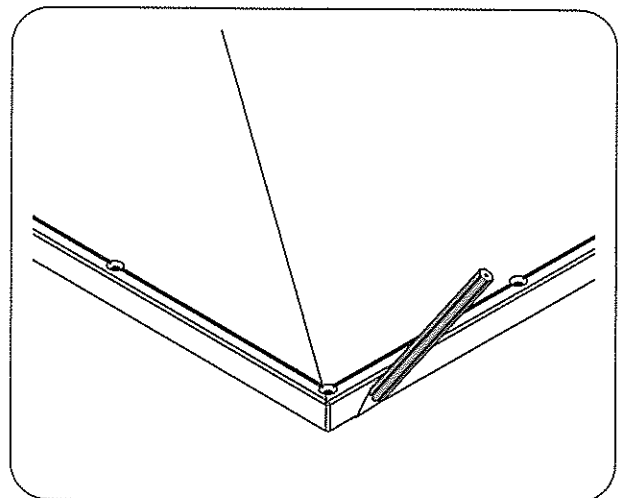
**10** Position the rotating plate, drill using 3mm drill bit and screw the rotating plate to the Dec using self tapping screws provided (No.10x3/4").



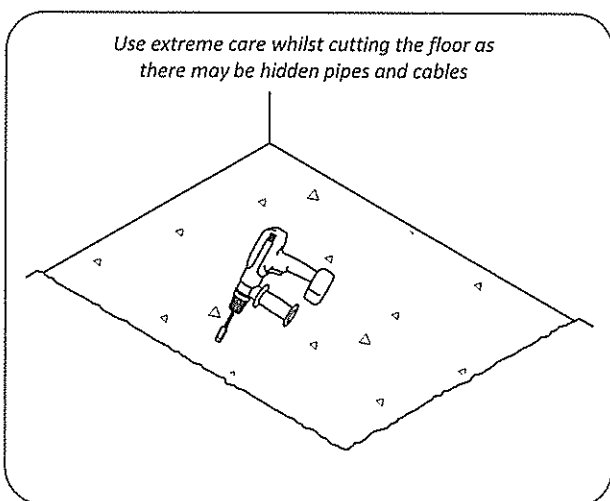
**11** Drill using 3mm drill bit and screw the base to the rotating plate using self tapping screws provided (No.8x3/4"). For vinyl floor gulley installation go to page 8. For tiled floor gulley installation go to page 9 and refer to Waterguard Membrane installation guide.



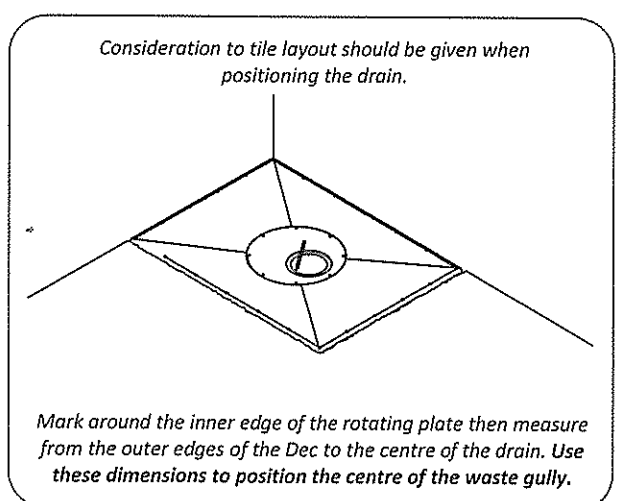
**1** Determine where the Dec is to be fitted.



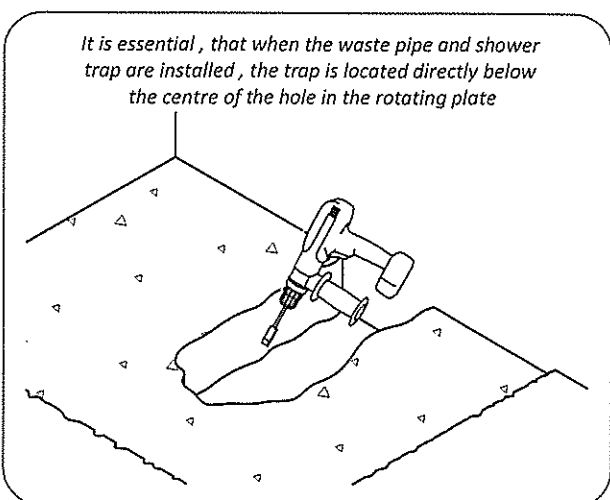
**2** Place the Dec in the desired location on the floor and mark around the outer edge.



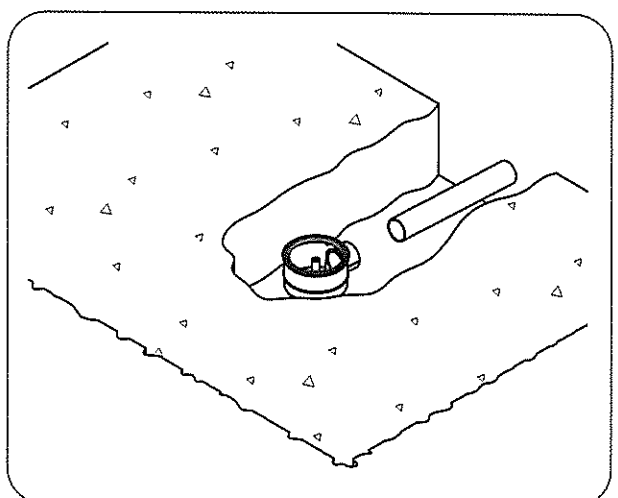
**3** Using suitable equipment, excavate all the concrete within the marked area to a minimum depth of 35mm.



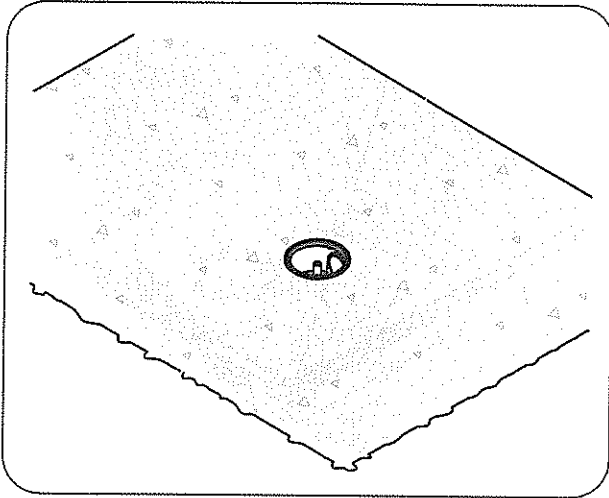
**4** Place the rotating plate onto the Dec in the desired position.



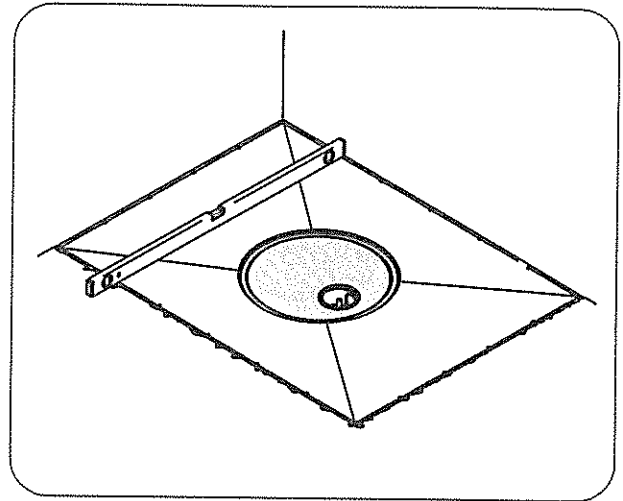
**5** Remove enough concrete for the installation of a waste pipe and shower trap.



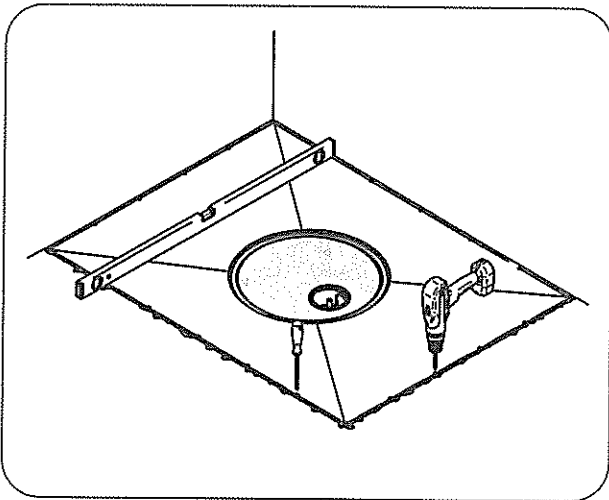
**6** Position the trap centre in the previously measured location (stage 4), then connect it to the waste pipe as shown.



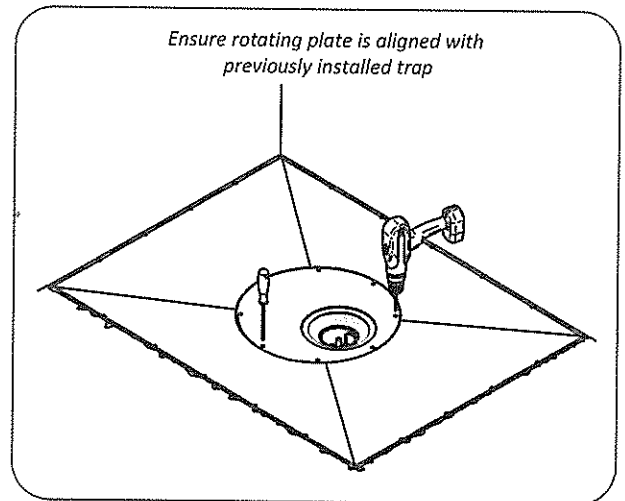
**7** Lay a weak sand and cement mix in the excavated hole and around the waste pipe and trap. Ensure the mix is fairly dry.



**8** Place the Dec onto the mix and ensure that it is perfectly level. If this is not the case, pack more weak sand and cement mix under the Dec.

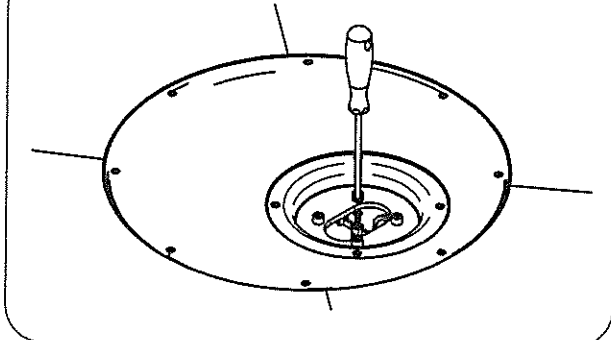


**9** Drill through the Dec into the concrete below. Then using suitably sized plugs screw the Dec to the floor. Perform one last check to ensure the Dec is level.



**10** Position the rotating plate, drill using 3mm drill bit and screw the rotating plate to the Dec using self tapping screws provided (No.10x3/4").

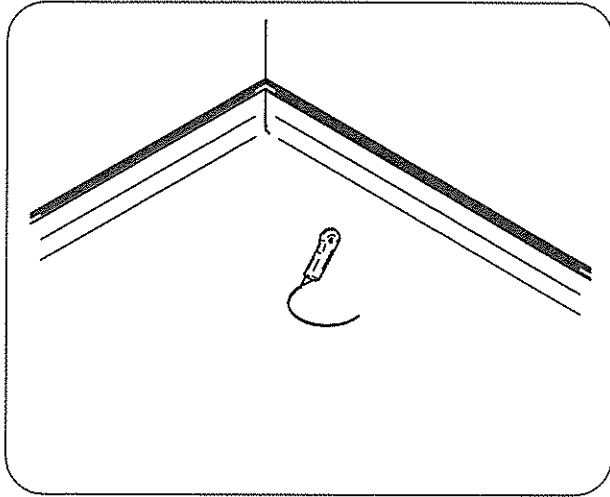
*Ensure the seal is positioned on the rim of the sump and fully pushed into place. Align the bowl and sump, then fit the 25mm screw through the bowl cross bar. Tighten the screw by hand until the cross bar meets with the boss in the centre of the sump.*  
*Allow bedding to dry.*



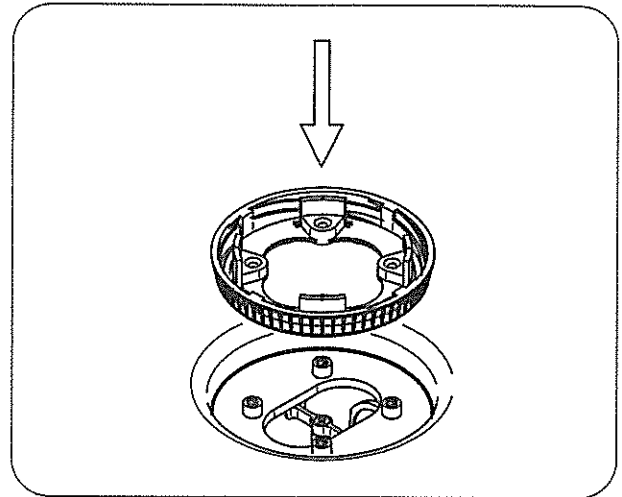
**11** Drill using 3mm drill bit and screw the base to the rotating plate using self tapping screws provided (No.8x3/4"). For vinyl floor gulley installation go to page 8. For tiled floor gulley installation go to page 9 and refer to Waterguard Membrane installation guide.



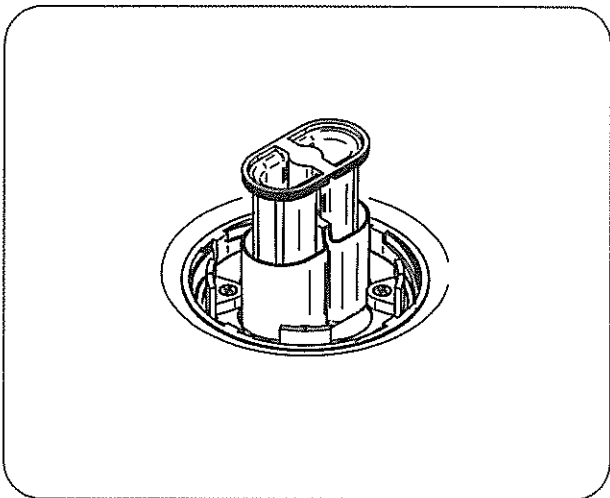
## EasyFit Dec Installation Guide Vinyl Floor Drain



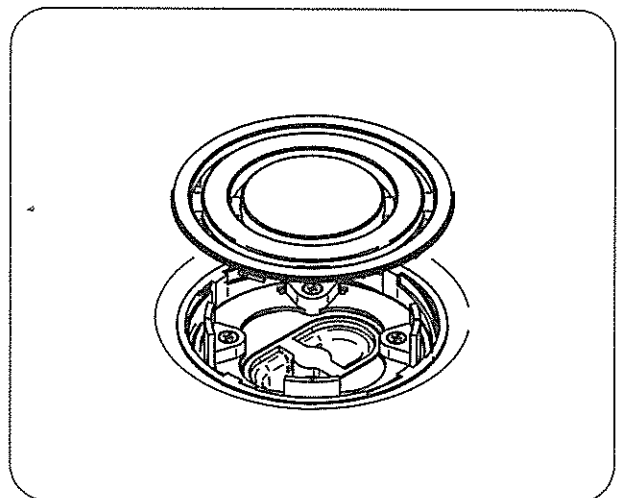
**1** Install the vinyl flooring in accordance with manufacturer's instructions, locate the centre of the drain and cut a 115mm hole in the vinyl (central to the bowl). Care should be taken not to damage the drain when cutting the hole.



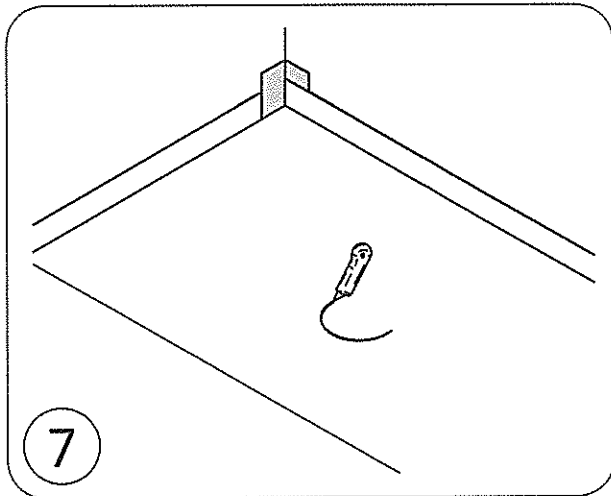
**2** The vinyl needs to be heated with a hot-air gun until soft, then the clamp can be gently pressed into place. Ensure the clamp is fully down beforehand tightening the four clamp screws.



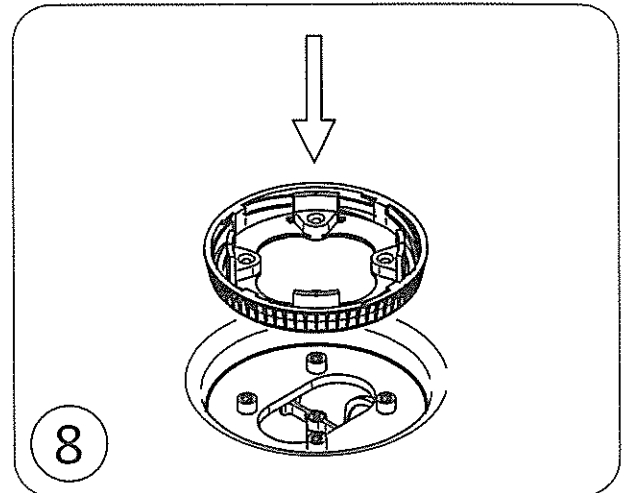
**3** Insert the bucket and dip tube into the waste trap. Ensure they are pushed securely into position.



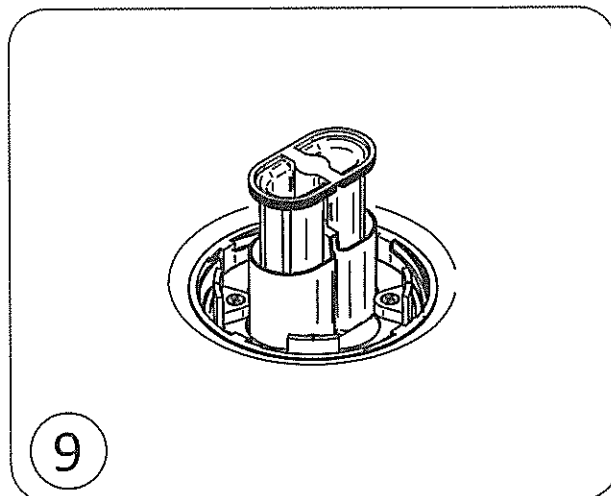
**4** The installation is now completed. Align the drain cap centrally to the drain, then press and twist clockwise to snap it into place. To remove, twist anti-clockwise or pull upward with the lifter tool.



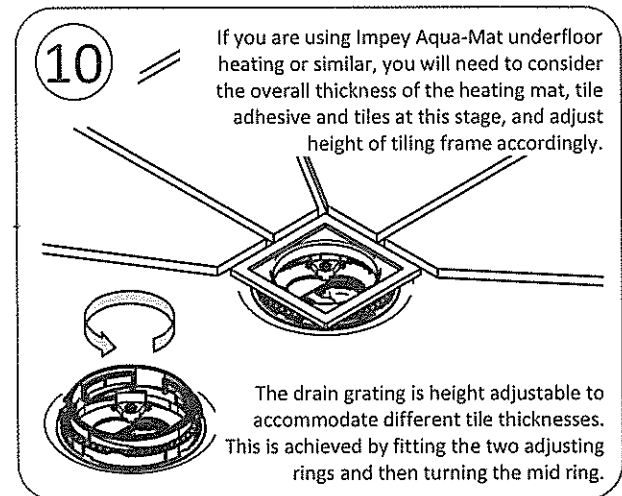
Install the Impey Waterproof Tanking Membrane in accordance with the instructions. Locate the centre of the drain and cut a 115mm hole in the membrane (central to the bowl). Care should be taken not to damage the drain when cutting the hole.



After the membrane is cut, the clamp can be gently pressed into place. Ensure the clamp is fully down before hand tightening the four clamp screws evenly.



Insert the bucket and dip tube into the waste trap. Ensure they are pushed securely into position.



If you are using Impey Aqua-Mat underfloor heating or similar, you will need to consider the overall thickness of the heating mat, tile adhesive and tiles at this stage, and adjust height of tiling frame accordingly.

The drain grating is height adjustable to accommodate different tile thicknesses. This is achieved by fitting the two adjusting rings and then turning the mid ring.

Ensure the top edge of the grating matches the finished height of your tiles -including adhesive, then glue the rings in place with ABS suitable solvent cement.

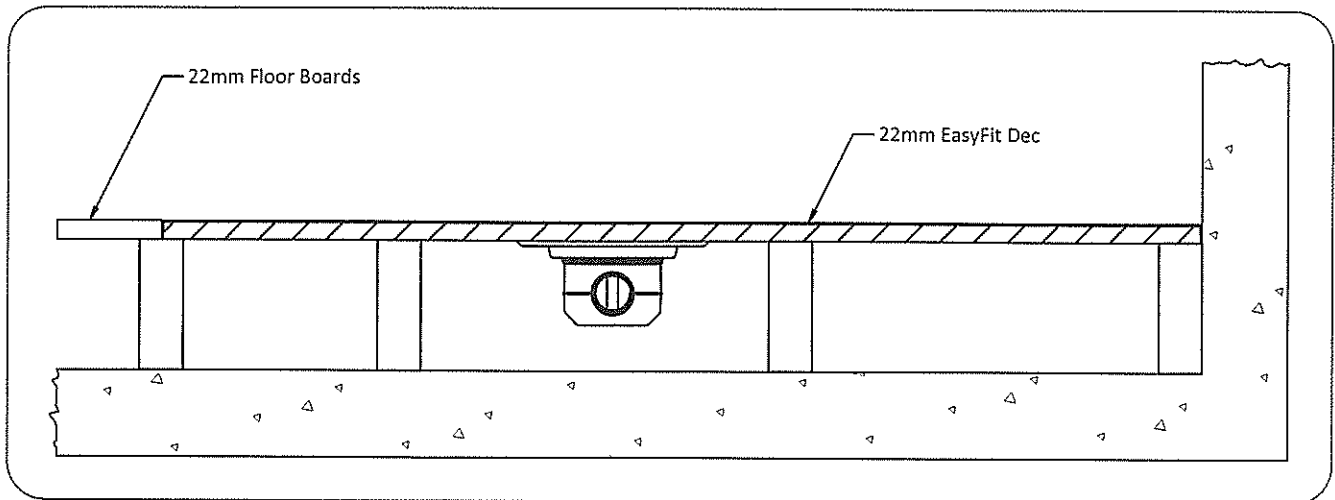


Diagram 1. Cross section of Dec and joist.

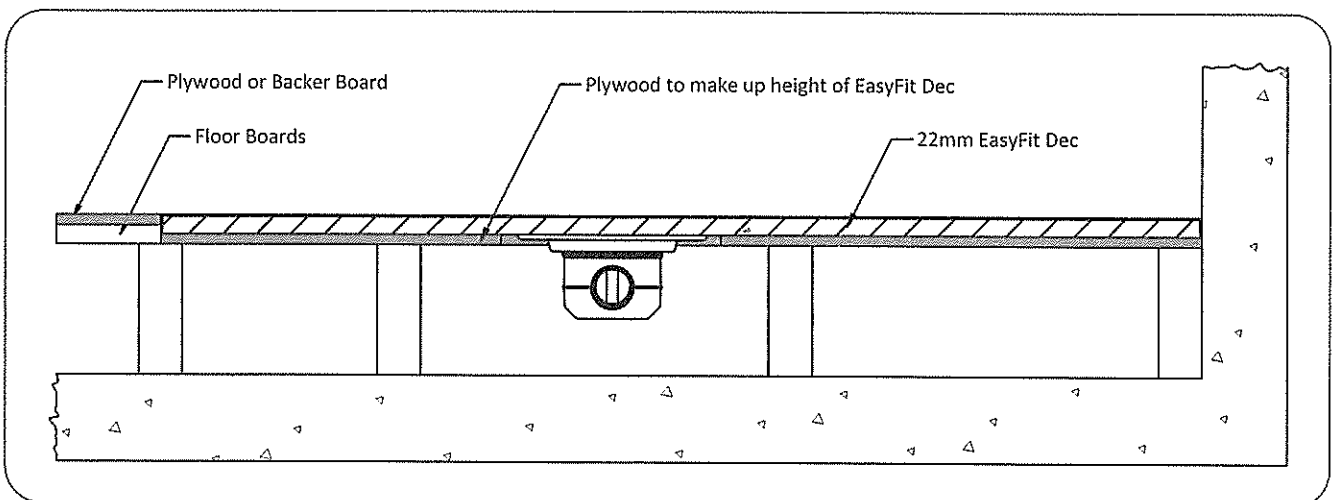


Diagram 2. Cross section of Dec and joists. This stage may not be relevant in all installations. In some situations additional treatment will need to be carried out to the existing timber floor, this may require the floor to be overlaid with a tile backer board or suitable plywood. Refer to the current British Standard codes of practice and the tile adhesive manufacturer's recommendation for more information. If the floor does need to be overlaid then the EasyFit Dec will need to be raised in order that it remains flush with the surrounding floor.

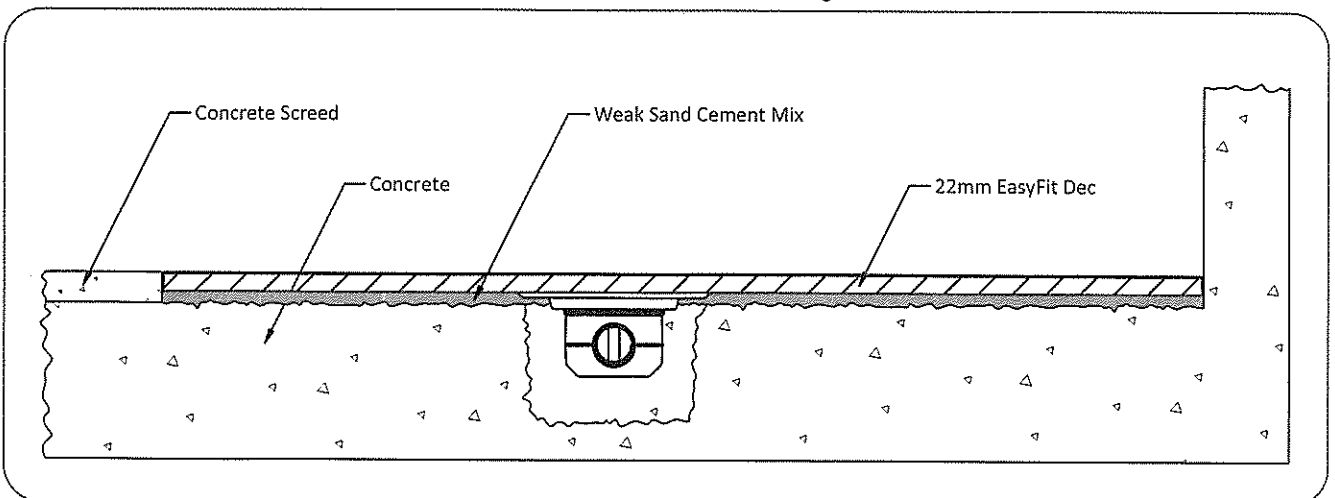


Diagram 3. Cross section of Dec and concrete floor.