

SPECIFICATION SHEET

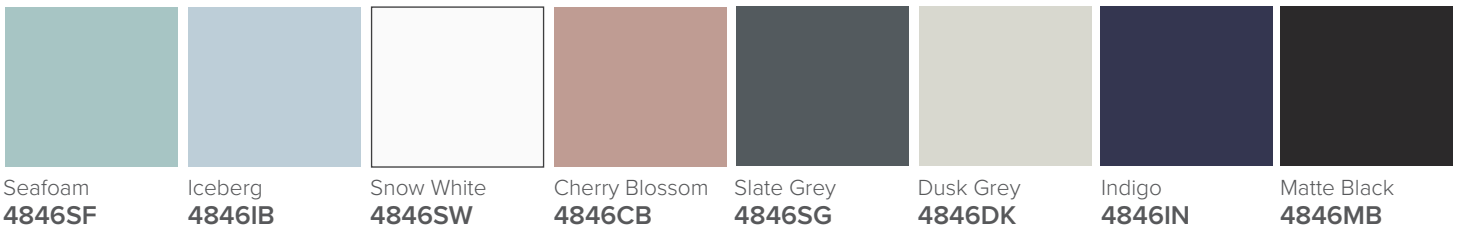
Oxley 600 2-Drawer Wall Hung Vanity



Features

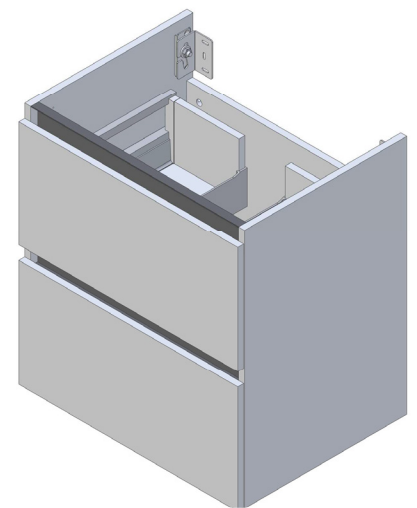
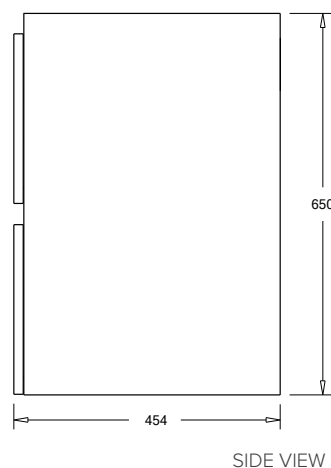
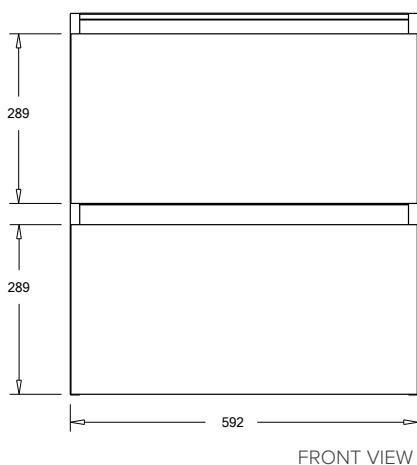
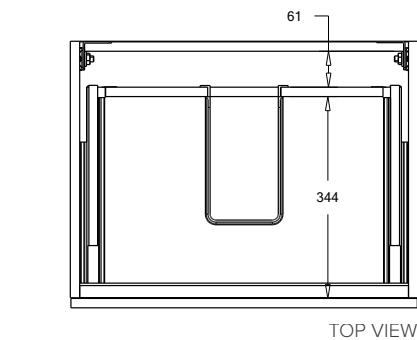
- 2-Drawer Wall Hung Vanity - *Colour options below*
- StoneCast 20mm Via Basin [Standard]
- Upgrade options available
- Full Extension Soft Close Drawers with Extrusions
- Extrusion upgrade options available
- Dimensions: H670 x W600 x D465

Cabinet Options



Technical Details

Note: All measurements shown are in millimetres. Sizes are nominal.



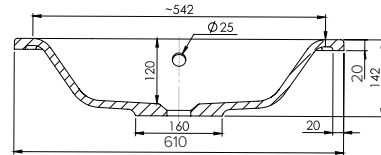
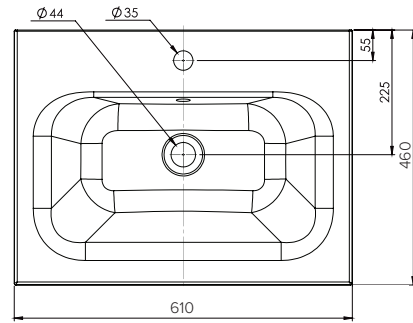
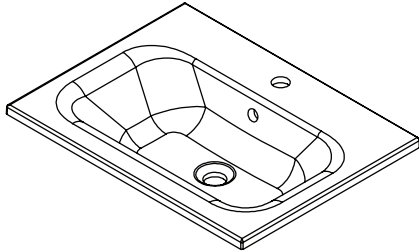
SPECIFICATION SHEET

600mm Basin Options

Via

StoneCast with overflow
Gloss White - VIA
Matte White - VIAMW

W610 x D460 x H20



Clasico

Vitreous China with overflow
Gloss White - VC

W600 x D465 x H20

