

# SPECIFICATION SHEET

## Oxley Luxe Slim 900 2-Drawer Wall Hung Vanity



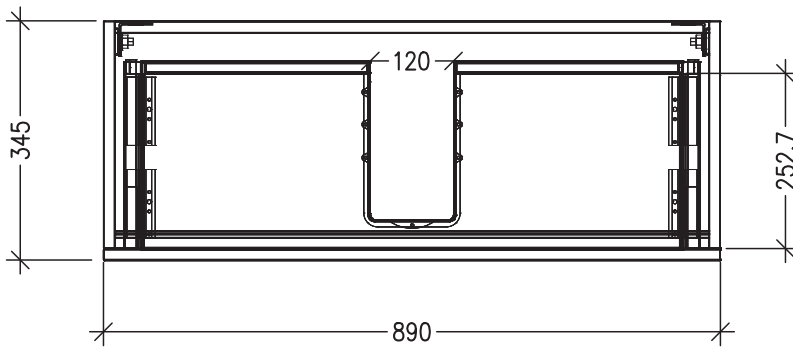
### Features

- 2-Drawer Wall Hung Vanity with Slab Top
- Multiple Slab Top Options Available
- Full Extension Soft Close Drawers with Extrusions - *Extrusion upgrade options available*
- Dimensions: H670 x W900 x D350

Note: Vessel basins are purchased separately.  
Limited tap hole positions & vessel basin options.

### Technical Details

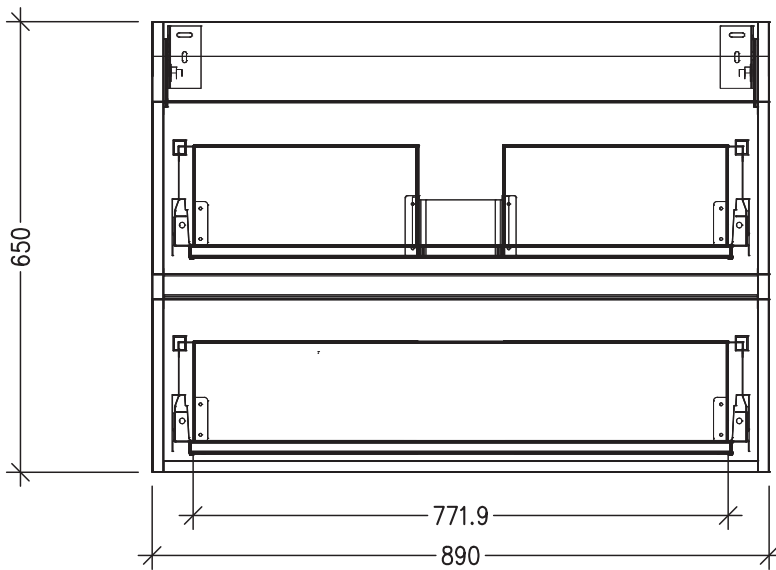
Note: All measurements shown are in millimetres. Sizes are nominal.



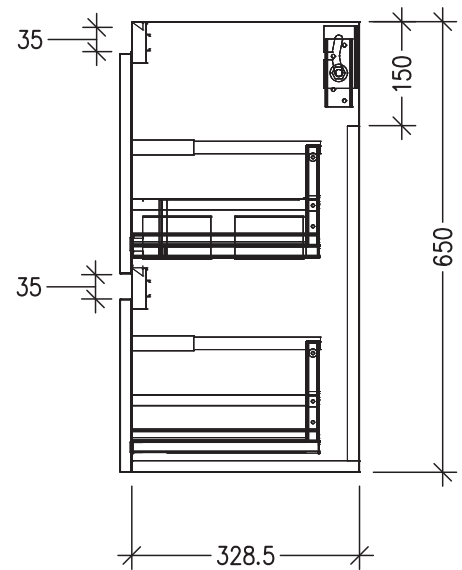
TOP VIEW

### IMPORTANT

For installation, please ensure cabinet is fixed through middle division brackets into solid fixings.



FRONT VIEW



SIDE VIEW

# SPECIFICATION SHEET

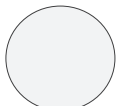
## Slab Top Options

### StoneCast Slab Top 900

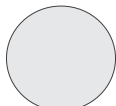
W900 x D350 x H20

Gloss White - Code: SC

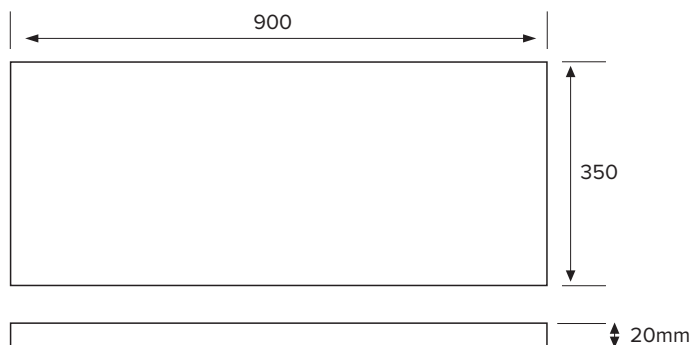
Matte White - Code: SCMW



Gloss White



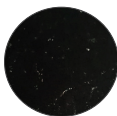
Matte White



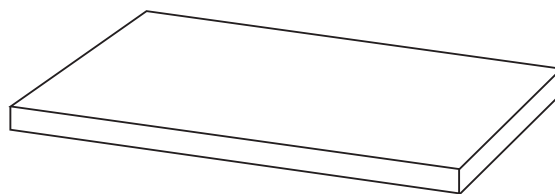
### Quartz Slab Top 900

W900 x D350 x H20

Midnight Stone - Code: MS



Midnight Stone



### Acrylic Solid Surface Slab Top 900

W900 x D350 x H20

Sierra - Code: SIER



Sierra

## Vessel Basin Options

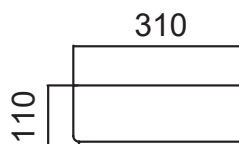
Note: The Quarto Round 310 basins are the only compatible options available for the Slim Vanities

### Quarto Round 310mm

H110 x W310

Gloss White - Code: 7331

Matte Black - Code: 7331B



SELECT YOUR TAP HOLE POSITION (Basin Wastes pre-drilled in Quartz Options)

**NTH** No Tap Holes

**LTH** Left Tap Holes

**RTH** Right Tap Holes