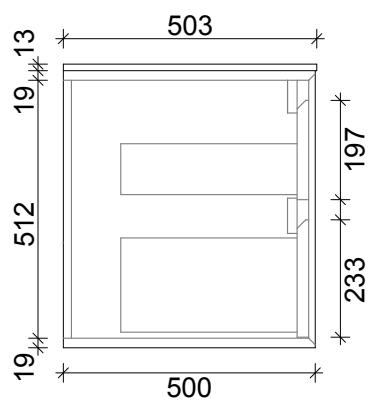
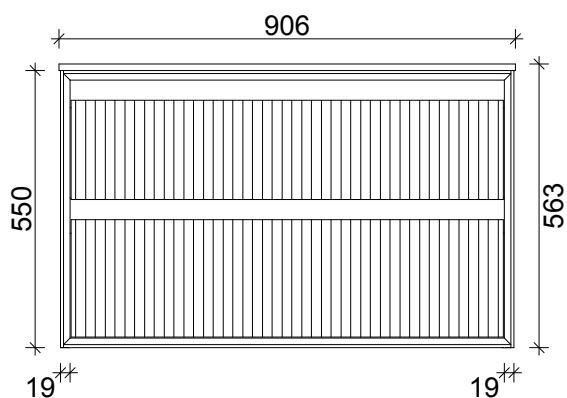
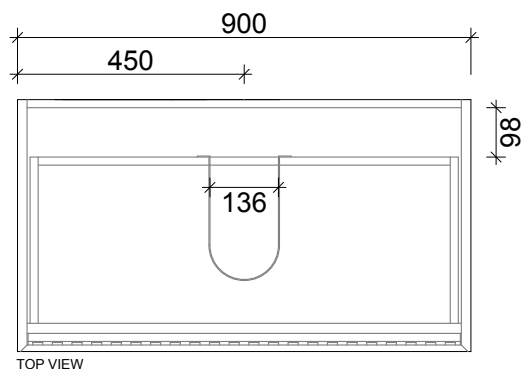


SPECIFICATION SHEET
PLATO 900 2 DRAW WALL HUNG SOLID SURFACE TOP



PRIMO BATHROOMWARE
3 EDISON PLACE
(03) 384-2471
EMAIL: enquiries@primobathroomware.co.nz