

# SPECIFICATION SHEET

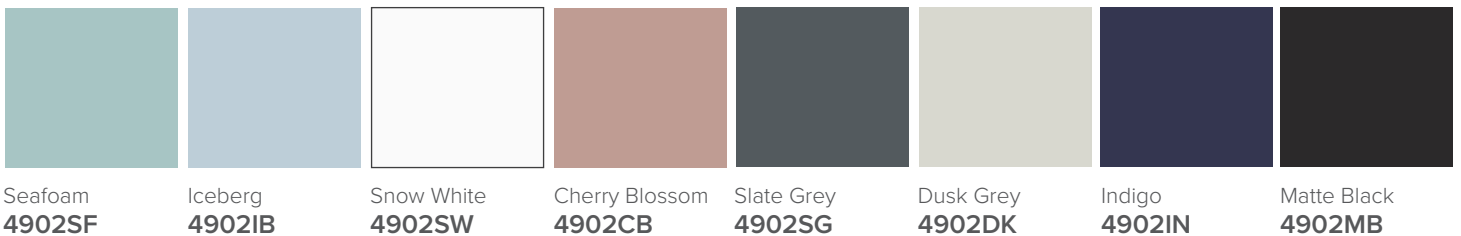
## Porscha 600 1-Drawer Wall Hung Vanity



### Features

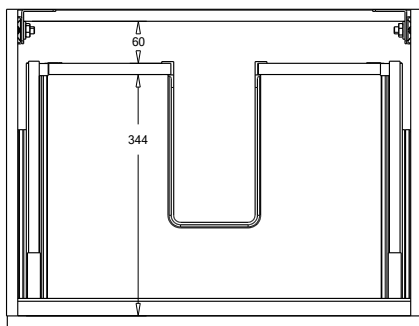
- 1-Drawer Wall Hung Vanity - *Colour options below*
- StoneCast 20mm Via Basin [Standard]  
- *Upgrade options available*
- Full Extension Soft Close Drawer with Extrusion  
- *Extrusion upgrade options available*
- Designer Drawer Front - *Four Drawer Front options*
- Dimensions: H420 x W600 x D465

### Cabinet Options

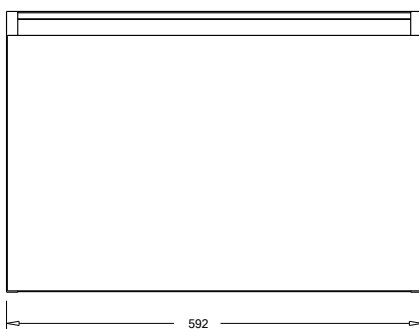


### Technical Details

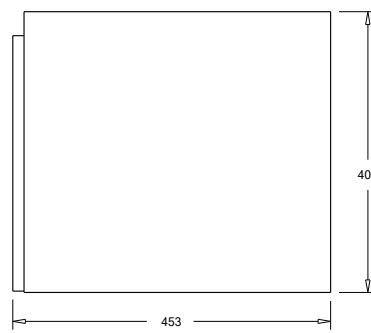
Note: All measurements shown are in millimetres. Sizes are nominal.



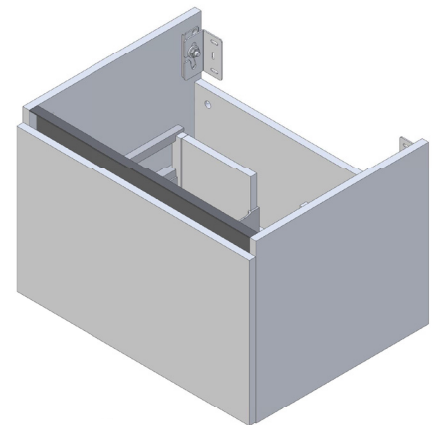
TOP VIEW



FRONT VIEW



SIDE VIEW



# SPECIFICATION SHEET

## Porscha Designer Drawer Fronts

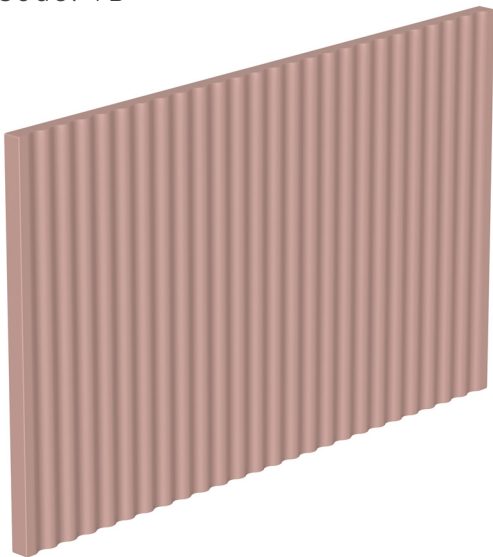
BARNSLEY  
18mm Inset Frame  
Code: BL



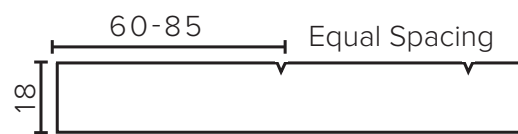
PRESTON  
60mm Inset Frame  
Code: PT



TURNBERRY  
Ripple Design Panel  
Code: TB



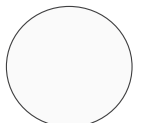
NEWPORT  
V-Groove Panels  
Code: NP



Seafoam



Iceberg



Snow White



Cherry Blossom



Slate Grey



Dusk Grey



Indigo



Matte Black

# SPECIFICATION SHEET

## 600mm Basin Options

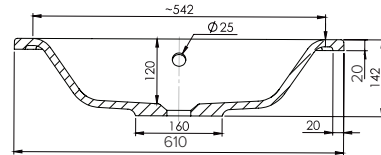
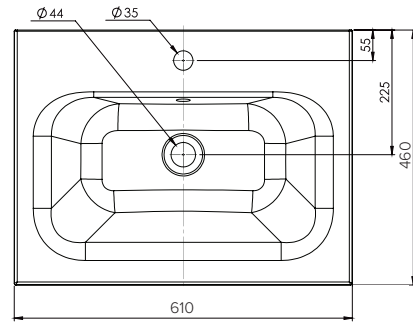
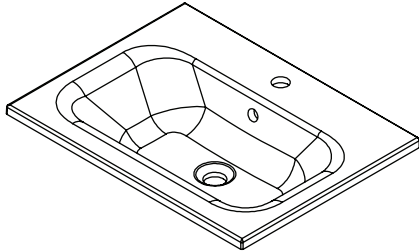
### Via

StoneCast with overflow

Gloss White - VIA

Matte White - VIAMW

W610 x D460 x H20



### Clasico

Vitreous China with overflow

Gloss White - VC

W600 x D465 x H20

