

SPECIFICATION SHEET

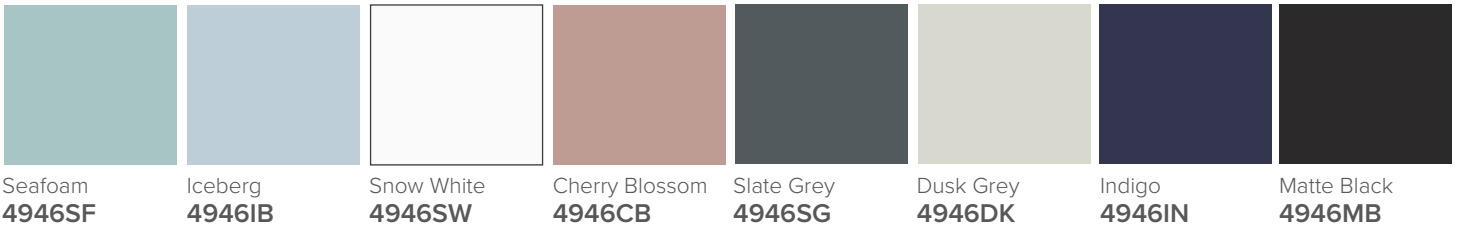
Porscha 900 2-Drawer Wall Hung Vanity



Features

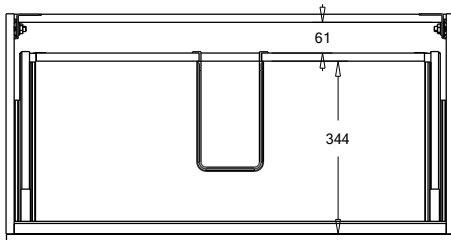
- 2-Drawer Wall Hung Vanity - *Colour options below*
- StoneCast 20mm Via Basin [Standard]
- *Upgrade options available*
- Full Extension Soft Close Drawers with Extrusions
- *Extrusion upgrade options available*
- Designer Drawer Fronts - *Four Drawer Front options*
- Dimensions: H670 x W900 x D465

Cabinet Options

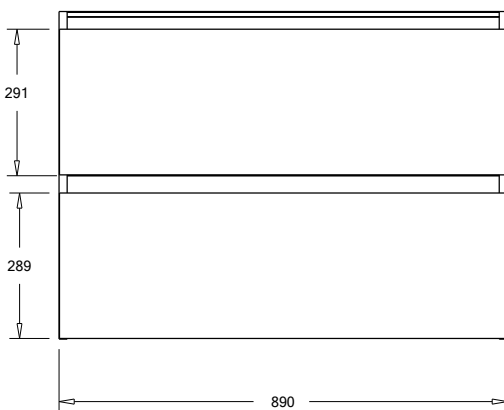


Technical Details

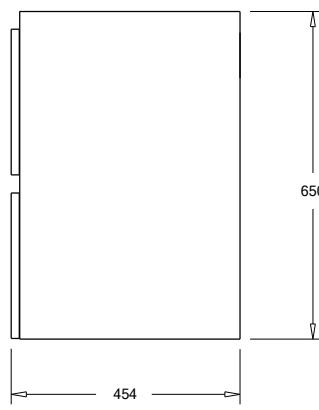
Note: All measurements shown are in millimetres. Sizes are nominal.



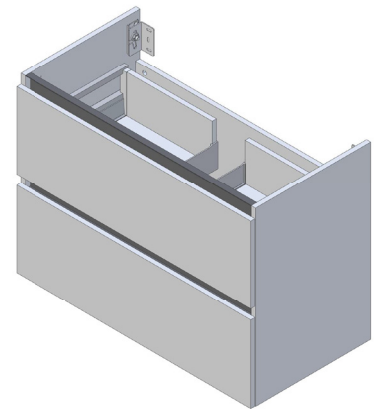
TOP VIEW



FRONT VIEW



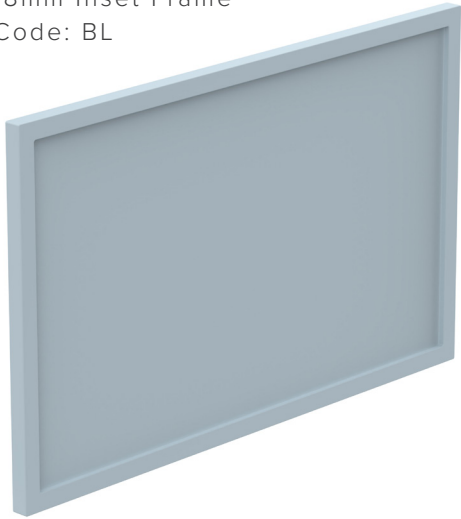
SIDE VIEW



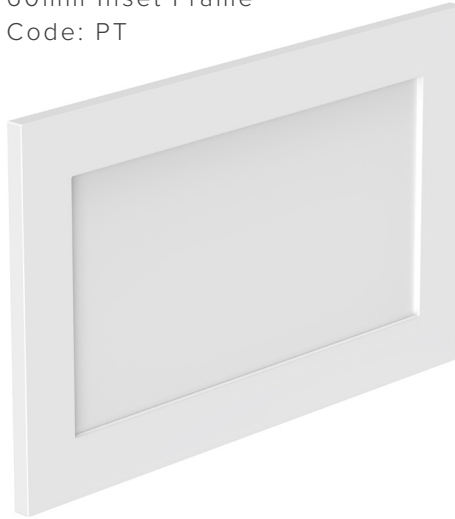
SPECIFICATION SHEET

Porscha Designer Drawer Fronts

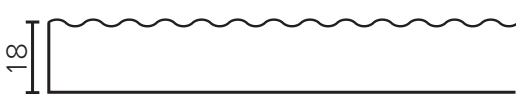
BARNESLEY
18mm Inset Frame
Code: BL



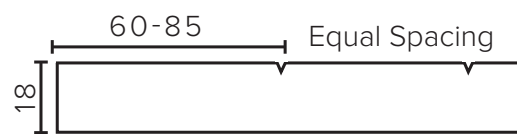
PRESTON
60mm Inset Frame
Code: PT



TURNBERRY
Ripple Design Panel
Code: TB



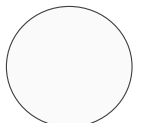
NEWPORT
V-Groove Panels
Code: NP



Seafoam



Iceberg



Snow White



Cherry Blossom



Slate Grey



Dusk Grey



Indigo



Matte Black

SPECIFICATION SHEET

900mm Basin Options

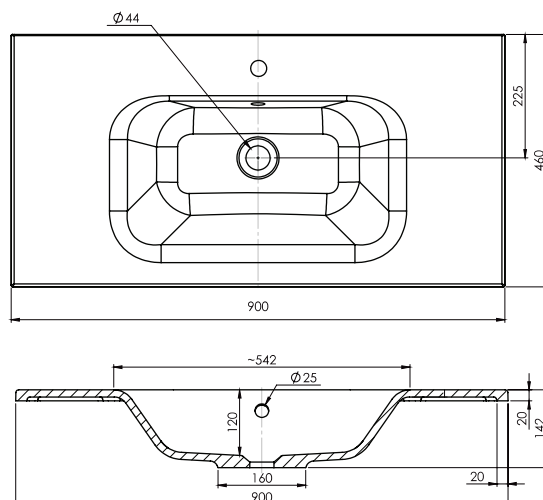
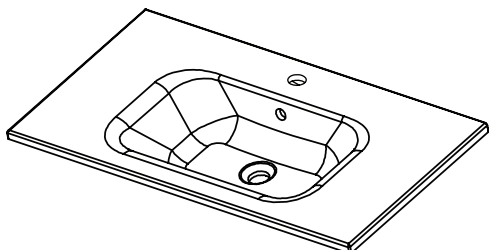
Via

StoneCast with overflow

Gloss White - VIA

Matte White - VIAMW

W900 x D460 x H20



Clasico

Vitreous China with over low

Gloss White - VC

W910 x D465 x H20

