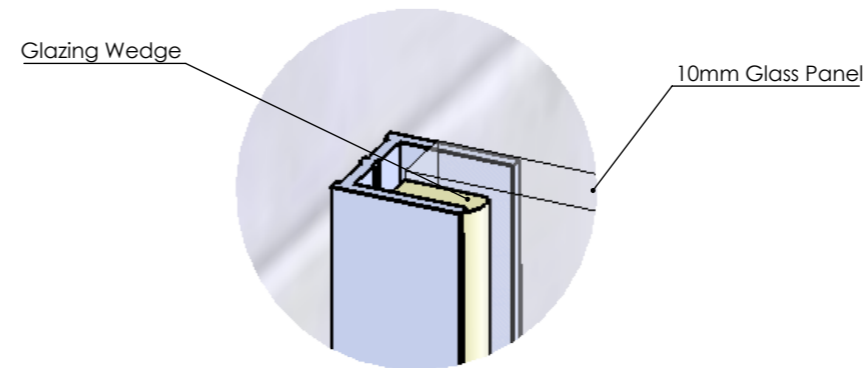


Glass Panel Silicone Detail



DETAIL A  
SCALE 1 : 1

I \_\_\_\_\_ confirm that all dimensions are correct.

Signature: \_\_\_\_\_



SH4412-12  
DIMENSION SHEET  
DIMENSIONS: 1200