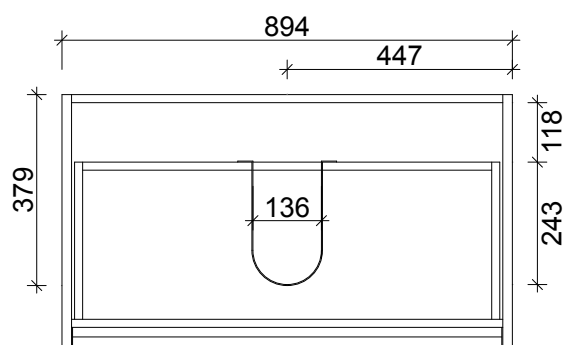
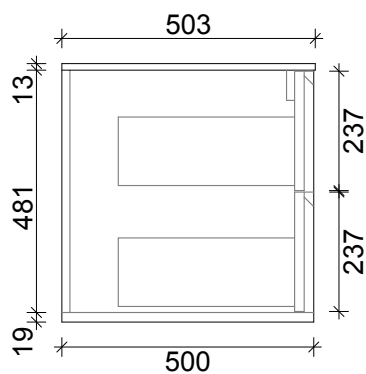
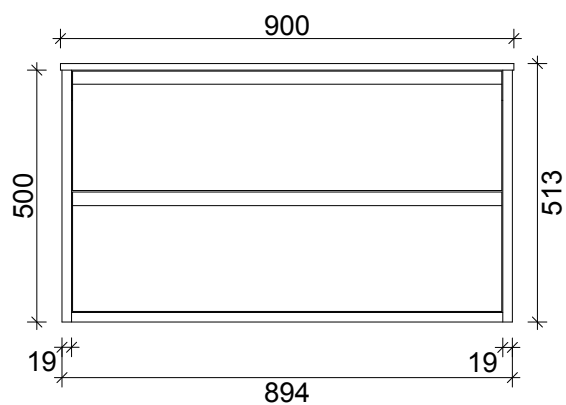


**SPECIFICATION SHEET**  
**STRATO 900 2 DRAW WALL HUNG**  
**SOLID SURFACE TOP**



DRAWER WASTE CUT OUT



**PRIMO BATHROOMWARE**  
3 EDISON PLACE  
(03) 384-2471  
EMAIL: [enquiries@primobathroomware.co.nz](mailto:enquiries@primobathroomware.co.nz)