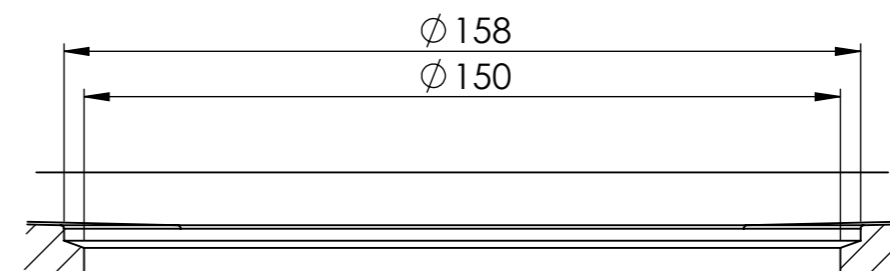
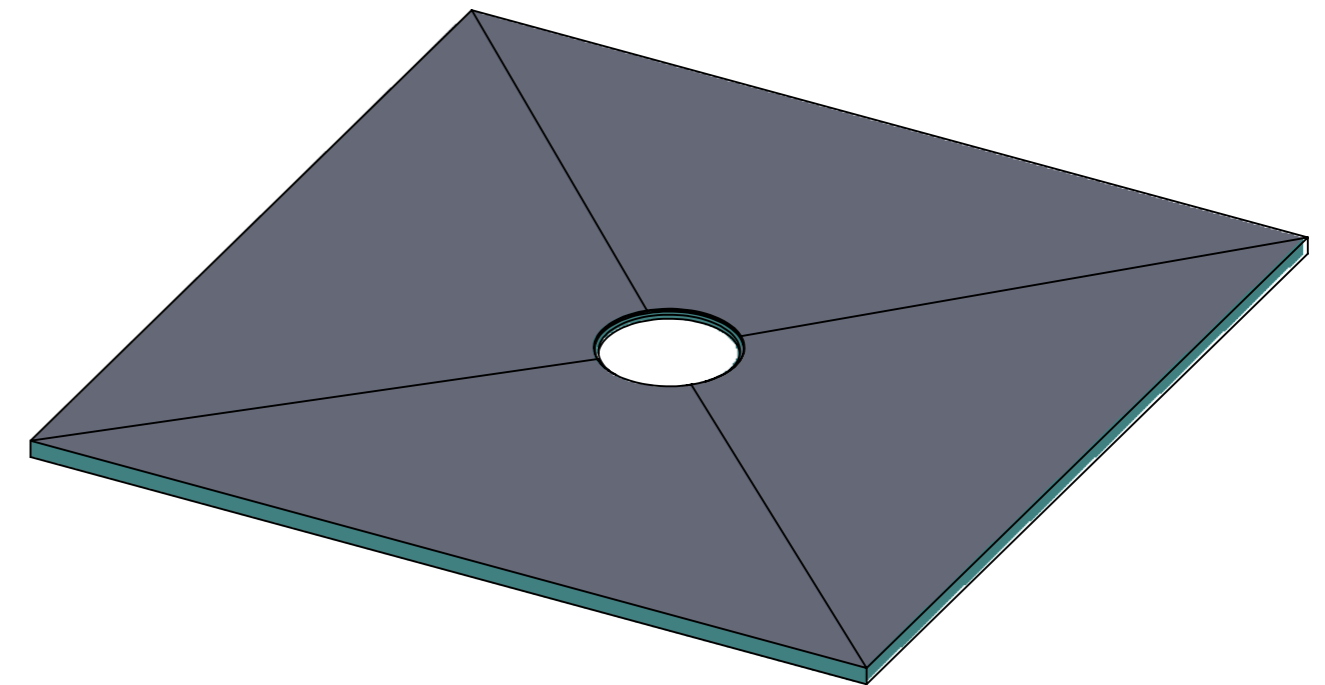
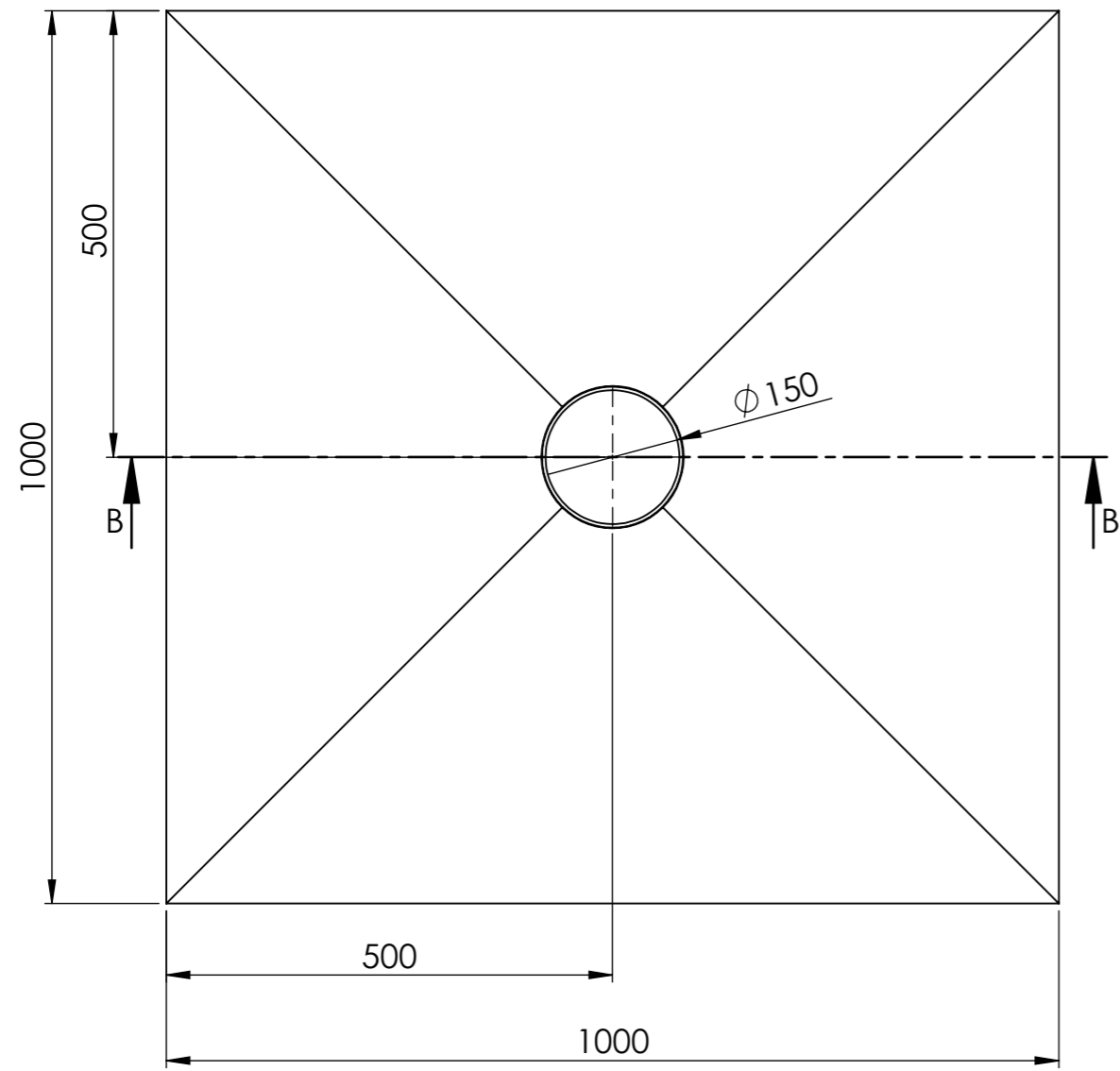


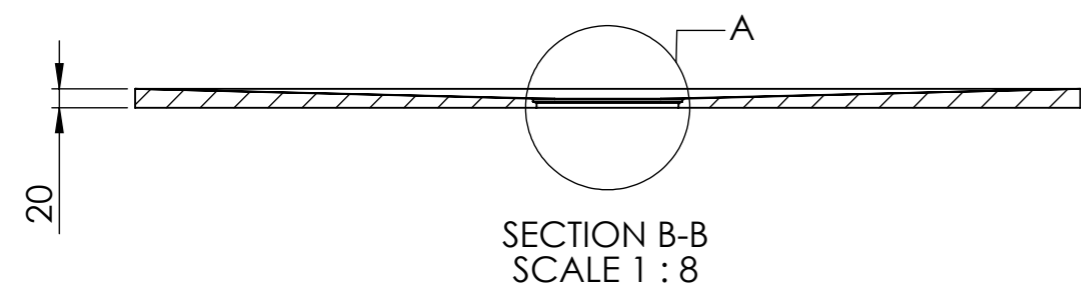
8 7 6 5 4 3 2 1

F
E
D
C
B
A

F
E
D
C
B
A



DETAIL A
SCALE 2 : 3



UNLESS OTHERWISE SPECIFIED: DIMENSIONS ARE IN MILLIMETERS SURFACE FINISH: TOLERANCES: LINEAR: ANGULAR:			FINISH: NATURAL		DEBURR AND BREAK SHARP EDGES		DO NOT SCALE DRAWING		REVISION		
DRAWN			NAME			SIGNATURE			DATE		
CHK'D			NAME			SIGNATURE			DATE		
APPV'D			NAME			SIGNATURE			DATE		
MFG			NAME			SIGNATURE			DATE		
Q.A			NAME			SIGNATURE			DATE		
			MATERIAL:			Material <not specified>			TITLE: -		
			WEIGHT: 15.76kg			SCALE:1:10			DWG NO. TOB-A		
									SHEET 1 OF 1		
									A3		

8 7 6 5 4 3 2 1

A

A