

8 7 6 5 4 3 2 1

F

F

E

E

D

D

C

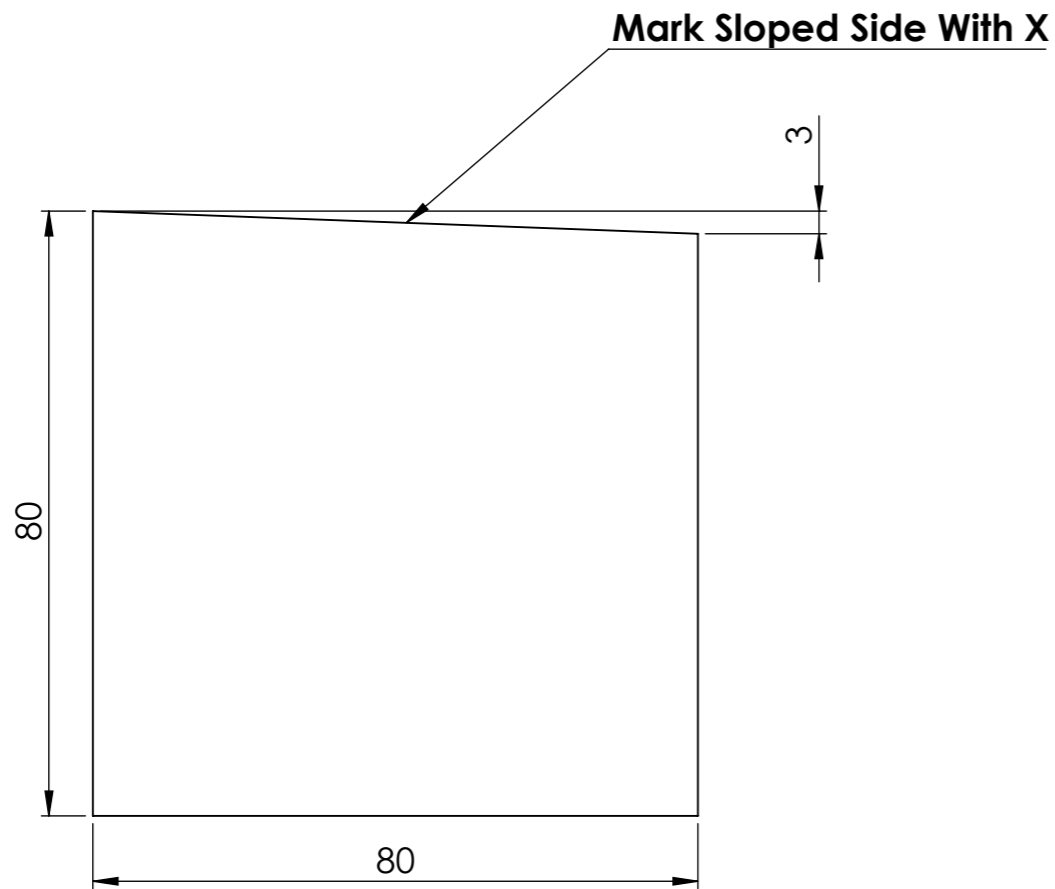
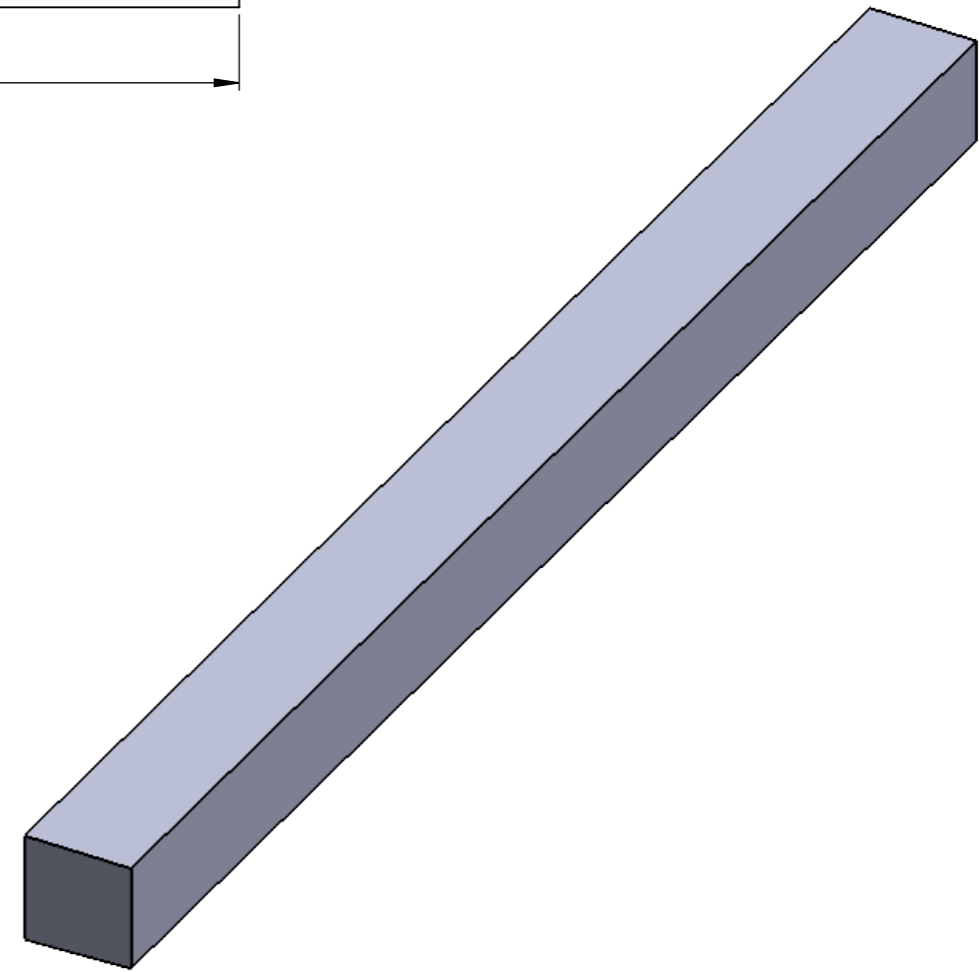
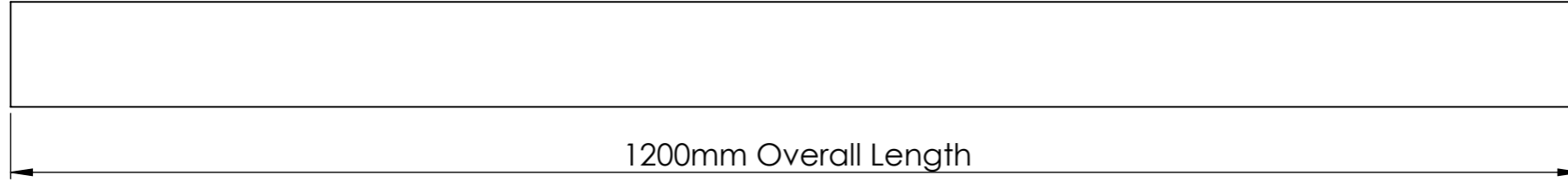
C

B

B

A

A



End Profile View

UNLESS OTHERWISE SPECIFIED: DIMENSIONS ARE IN MILLIMETERS SURFACE FINISH: TOLERANCES: LINEAR: ANGULAR:			FINISH:		DEBURR AND BREAK SHARP EDGES		DO NOT SCALE DRAWING		REVISION		
DRAWN			NAME		SIGNATURE		DATE		TITLE:		
CHK'D											
APPV'D											
MFG											
Q.A							MATERIAL:		DWG NO.		A3
									TOB-R		
							WEIGHT:		SCALE:1:5		SHEET 1 OF 1

8 7 6 5 4 3 2 1