

8 7 6 5 4 3 2 1

F

F

E

E

D

D

C

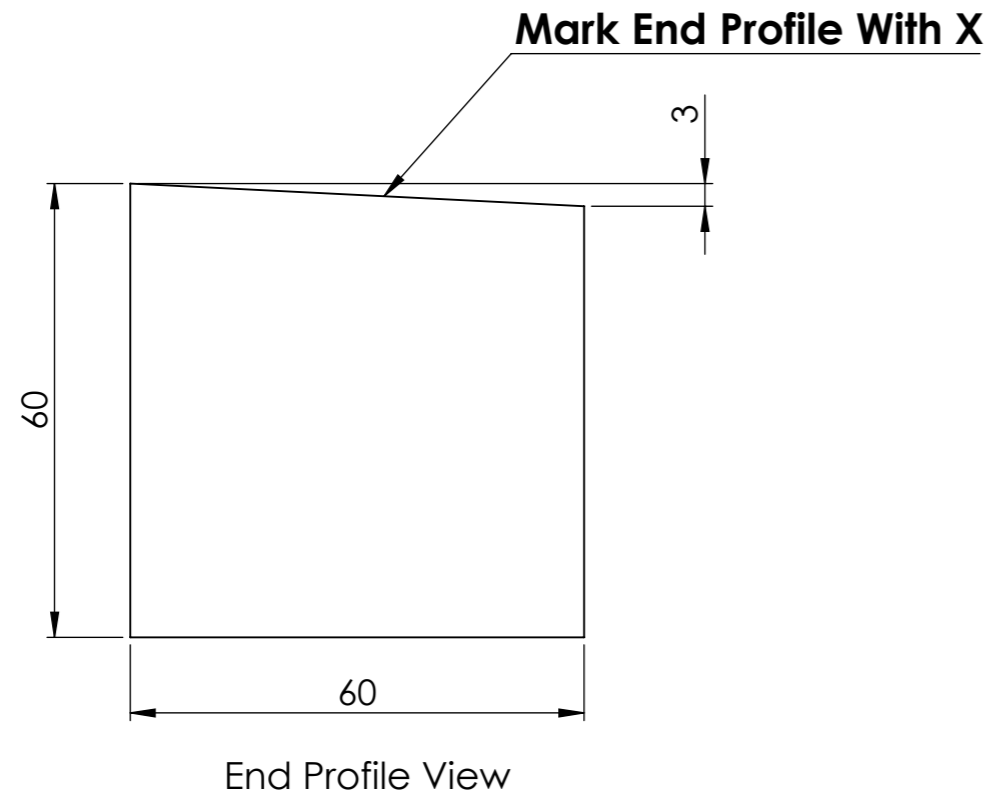
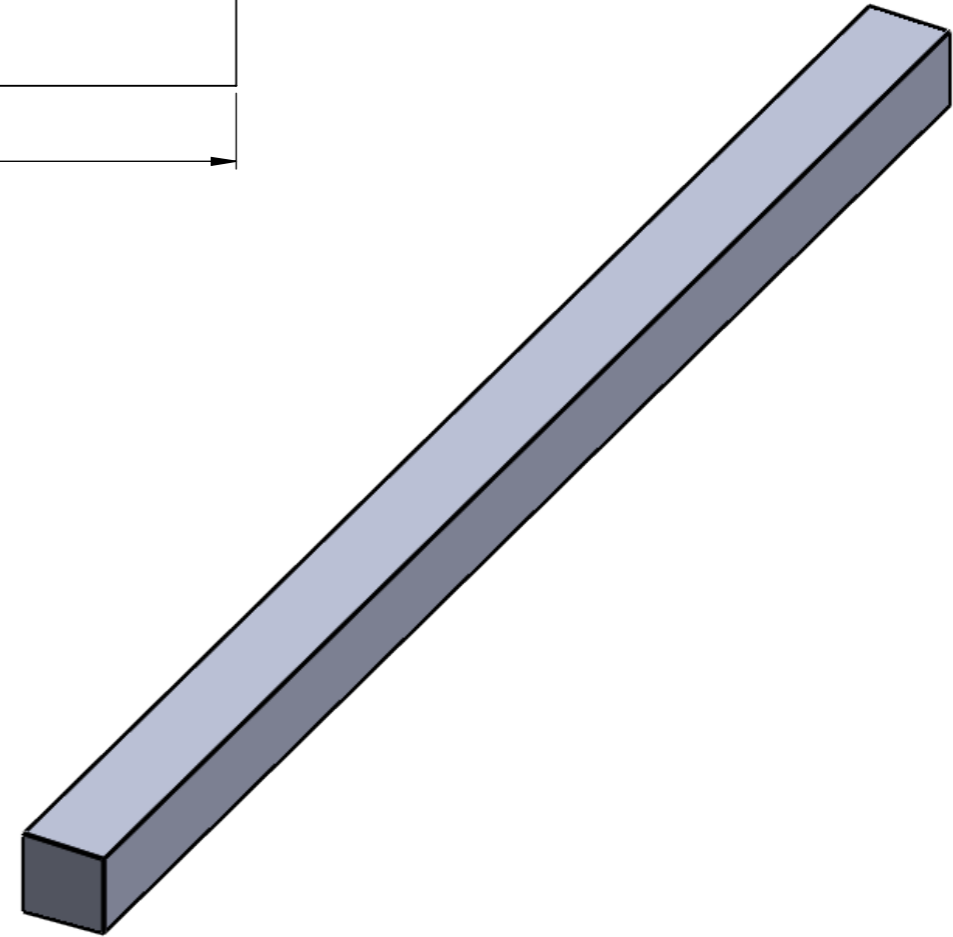
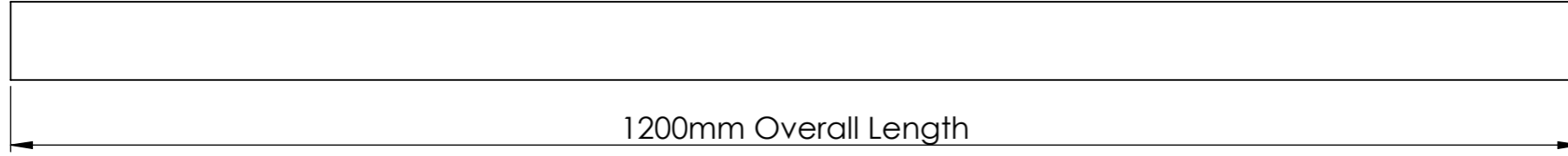
C

B

B

A

A



UNLESS OTHERWISE SPECIFIED: DIMENSIONS ARE IN MILLIMETERS SURFACE FINISH: TOLERANCES: LINEAR: ANGULAR:				FINISH:		DEBURR AND BREAK SHARP EDGES		DO NOT SCALE DRAWING		REVISION			
DRAWN						TITLE:							
CHK'D													
APPV'D													
MFG													
Q.A						MATERIAL:				DWG NO.		A3	
						WEIGHT:				SCALE:1:5		SHEET 1 OF 1	
						<b>TOB-S</b>							

8 7 6 5 4 3 2 1