

Voda Shower Drencher (Round) – Wall Mount

PRODUCT CODE

VECL81RWCH



COLOUR/FINISHES

Chrome

Brushed Gunmetal (PVD)

Matte Black

Brushed Copper (PVD)

Brushed Nickel (PVD)

Brushed Brass (PVD)

FEATURES

Adjustable angle Drencher head

DRENCHER DIMENSIONS

250mm Diameter

ARM LENGTH

300mm

PRESSURE TYPE

Mains Pressure only

MINIMUM PRESSURE

150kPa

WELS RATING - MAINS

3 Star (6.5L/min)

PRESSURE

MAXIMUM PRESSURE

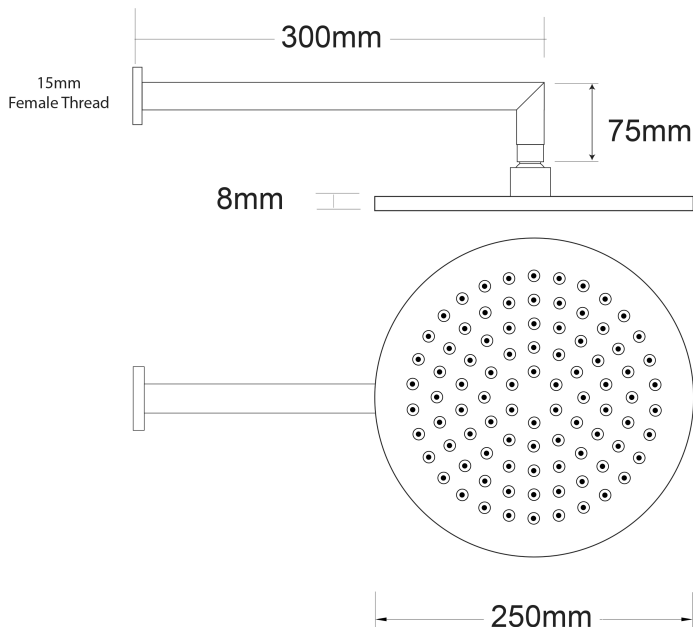
500kPa (As per NZ Building Code AS/NZ 3500.1)

MAXIMUM TEMPERATURE

65°C

PLUMBING CONNECTION

15mm



Specifications and dimensions correct at time of publication however are subject to change without notice.

Please refer to physical product prior to installation.

Installation instructions for this product are available from the product page on vodaplumbingware.co.nz