

SPECIFICATION SHEET

Vega 750mm 2 Drawer Wall Vanity



Features

- Wall Hung
- Full Extension Soft Close Drawers
- Negative detail finger pull with extrusion
- Cabinet:
Laminate Woodgrain &
Solid Colours on MR Board
- Slab Top Options:
20mm Quartz Top or StoneCast Top
- Dimensions: H670 x W750 x D465
- Plumbing provision has been allowed for with a 60mm space behind lower drawer. Note lower drawer DOES NOT have a plumbing cutout and is designed to offer full storage space

*Note: Vessel basins are purchased separately.
Visit www.newtech.co.nz for full range of vessel basin options.*

Colour Options with Code



Alaskan
97377ALS



Planked Urban Oak
97377PUO



Southern Oak
97377STH



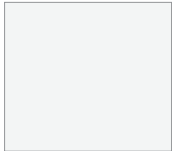
Charred Oak
97377CHO



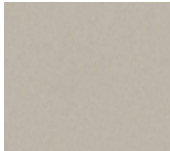
Borders Oak
97377BOK



Burnished Wood
97377BUW



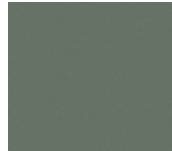
Gloss White
97377GW



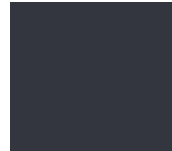
Dawn Grey
97377DGY



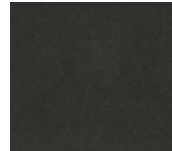
Spinifex
97377SPX



Green Slate
97377GRS



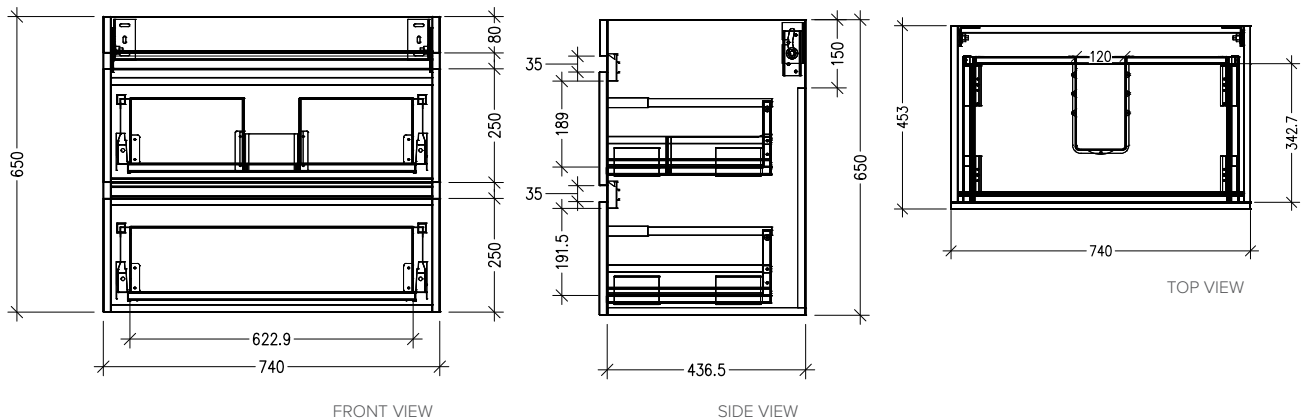
Char Blue
97377CBL



Bullet
97377BUL

Technical Details

Note: All measurements shown are in millimetres. Sizes are nominal.



SPECIFICATION SHEET

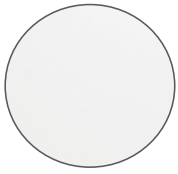
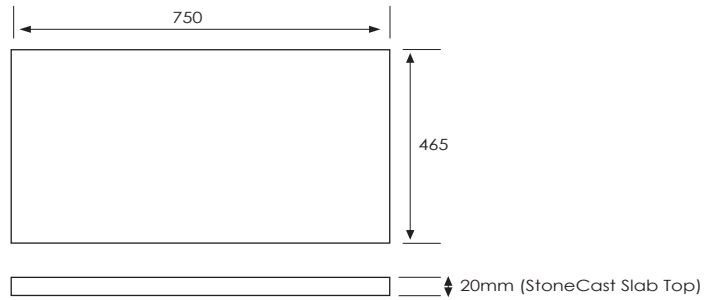
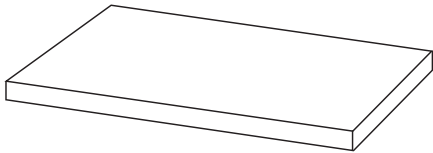
Slab Top Options

StoneCast Slab Top 750

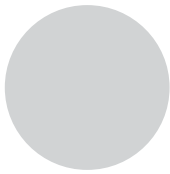
W750 x D465 x H20

Gloss White - SC

Matte White - SCMW



Gloss White



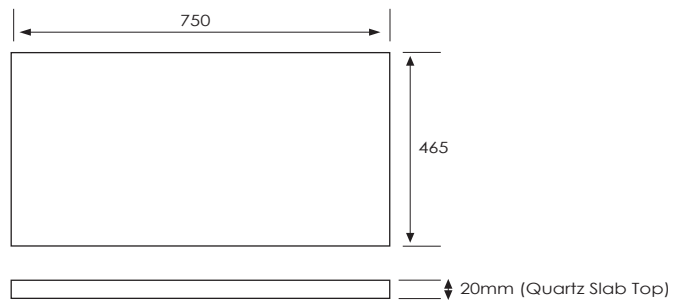
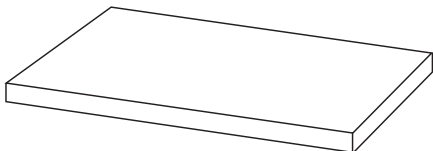
Matte White

Quartz Slab Top 750

W750 x D465 x H20

Midnight Stone - MS

Himalaya - HY



Midnight Stone



Himalaya

Tap Hole Position

Tap hole position must be specified

NTH	No Tap Holes
CTH	Centre Tap Holes
LTH	Left Tap Holes
RTH	Right Tap Holes
ITH*	Inside Tap Holes
OTH*	Outside Tap Holes

*only applicable with double basins