

# SPECIFICATION SHEET

## Vega 900mm 1 Drawer Wall Vanity



### Features

- Wall Hung
- Full Extension Soft Close Drawer
- Negative detail finger pull with extrusion
- Cabinet:  
Laminate Woodgrain & Solid Colours on MR Board
- Slab Top Options:  
20mm Quartz Top or StoneCast Top
- Dimensions: H420 x W900 x D465

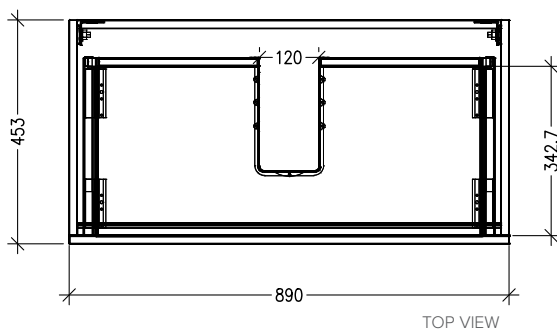
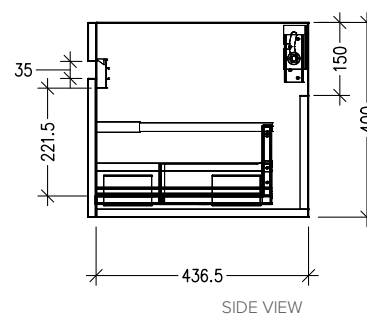
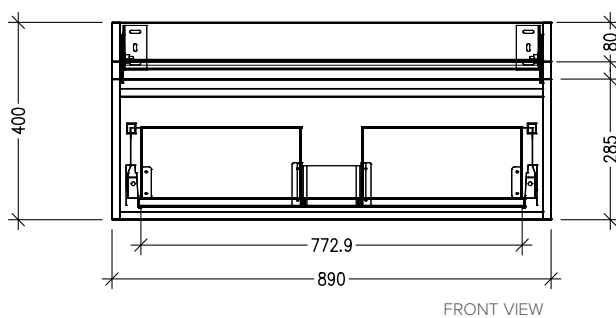
*Note: Vessel basins are purchased separately.  
Visit [www.newtech.co.nz](http://www.newtech.co.nz) for full range of vessel basin options.*

### Colour Options with Code



### Technical Details

*Note: All measurements shown are in millimetres. Sizes are nominal.*



# SPECIFICATION SHEET

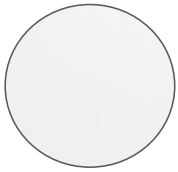
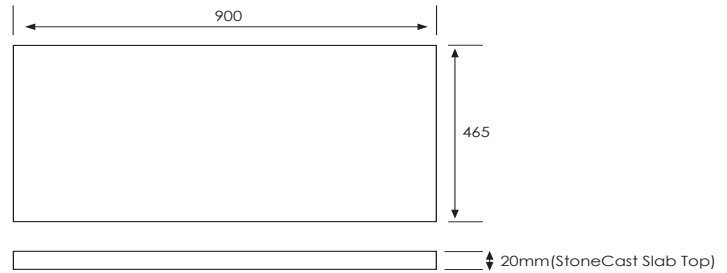
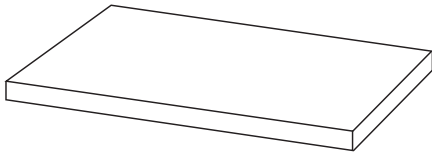
## Slab Top Options

### StoneCast Slab Top 900

W900 x D465 x H20

Gloss White - SC

Matte White - SCMW



Gloss White



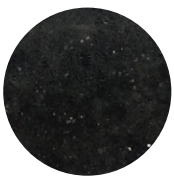
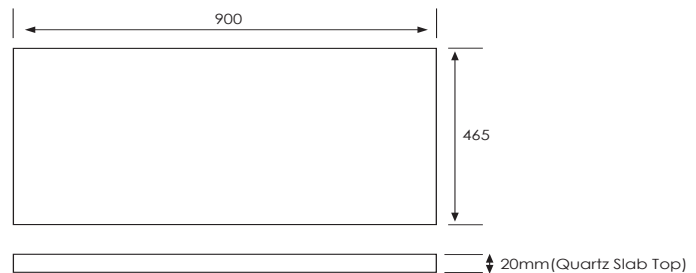
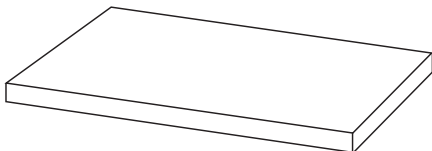
Matte White

### Quartz Slab Top 900

W900 x D465 x H20

Midnight Stone - MS

Himalaya - HY



Midnight Stone



Himalaya

### Tap Hole Position

Tap hole position must be specified

<b>NTH</b>	No Tap Holes
<b>CTH</b>	Centre Tap Holes
<b>LTH</b>	Left Tap Holes
<b>RTH</b>	Right Tap Holes
<b>ITH*</b>	Inside Tap Holes
<b>OTH*</b>	Outside Tap Holes

\*only applicable with double basins