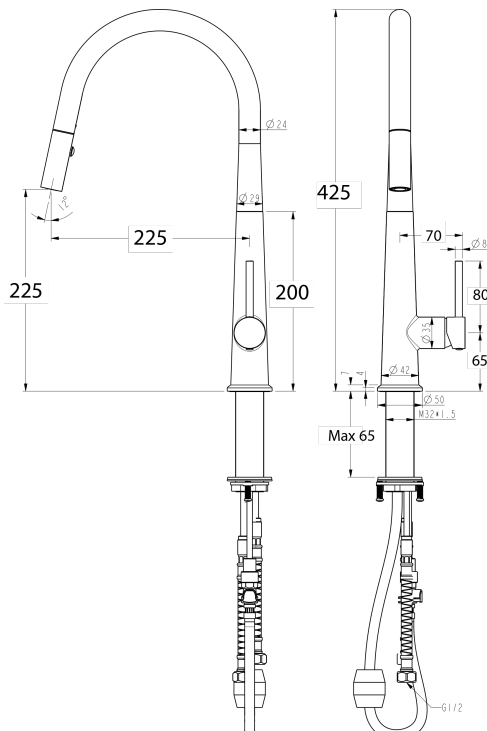


Apollo Pull Out Sink Mixer



DUAL FUNCTION
HANDPIECE



PRODUCT CODE

VAP13BCU

COLOUR/FINISHES

Brushed Copper (PVD)
Brushed Black (PVD)
Chrome
Brushed Gunmetal (PVD)
Brushed Nickel (PVD)
Brushed Brass (PVD)

FEATURES

ColdStart Technology
Dual-function Swivel Handpiece
Lead-free DZR Brass
Quick-fit hose connection
Swivel spout

PRESSURE TYPE

Mains Pressure only

MINIMUM PRESSURE

150kPa

MAXIMUM PRESSURE

500kPa (As per NZ Building Code AS/NZ 3500.1)

WELS RATING - MAINS
PRESSURE

4 Star (6L/min)

MAXIMUM TEMPERATURE

65°C

PLUMBING CONNECTION

15mm

SPOUT REACH

225mm

PULLOUT HOSE LENGTH

+300mm

PRODUCT WARRANTY

10 Year Labour & Replacement or Parts
Warranty
5 Year Finish Warranty on PVD Finishes

Voda Plumbingware products are in full compliance with the requirements as set out in the New Zealand Building Code:

www.vodaplumbingware.co.nz/building-code-clauses/

This product is not subject to a warning or ban under section 26 of the Building Act 2004.

Specifications and dimensions correct at time of publication however are subject to change without notice.

Please refer to physical product prior to installation.

Installation instructions for this product are available from the product page on vodaplumbingware.co.nz