

# Voda Wall Mounted Shower Rose



PRODUCT CODE

**VDSR1**

COLOUR/FINISHES

Chrome/Grey

FEATURES

Adjustable head

PRESSURE TYPE

All Pressures

WELS RATING - MAINS  
PRESSURE

3 Star (7.5L/min)

WELS RATING - LOW  
PRESSURE

3 Star (8L/min)

MINIMUM PRESSURE

35kPa

MAXIMUM PRESSURE

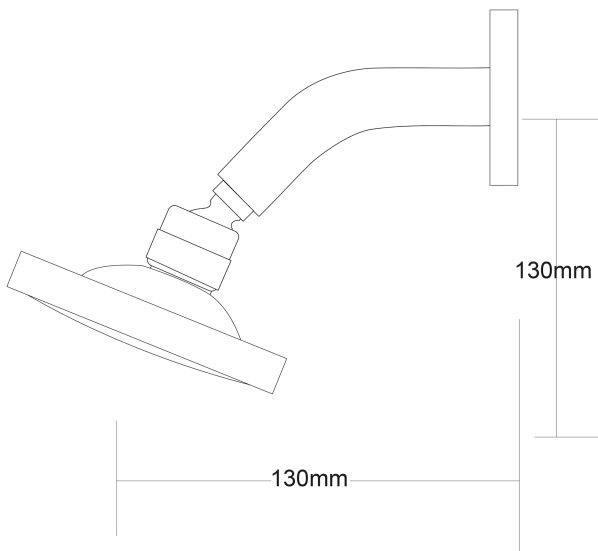
500kPa (As per NZ Building Code AS/NZ  
3500.1)

MAXIMUM TEMPERATURE

65°C

PLUMBING CONNECTION

15mm



Specifications and dimensions correct at time of publication however are subject to change without notice.

Please refer to physical product prior to installation.

Installation instructions for this product are available from the product page on [vodaplumbingware.co.nz](http://vodaplumbingware.co.nz)