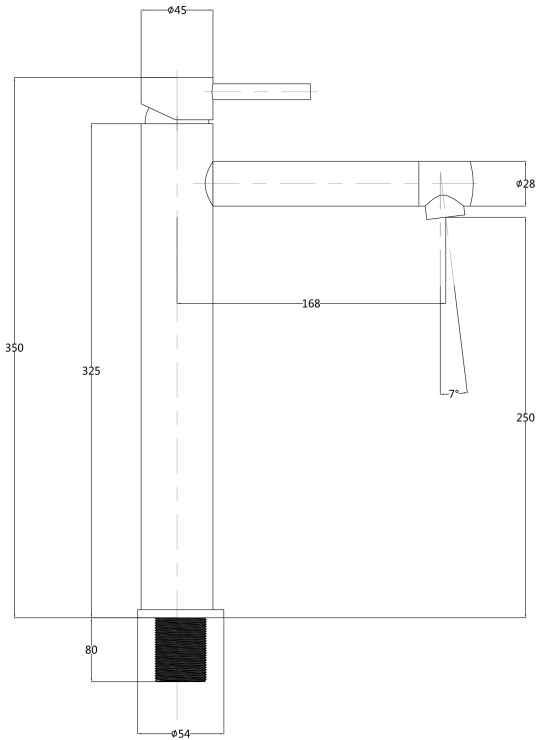


EcoMinimal High Rise Basin Mixer



PRODUCT CODE

VMIN22SS

COLOUR/FINISHES

Brushed Stainless

Chrome
Matte Black
Brushed Brass (PVD)

FEATURES

Lead-free 304 Stainless Steel Construction

SPOUT HEIGHT

250mm

PRESSURE TYPE

Mains Pressure only

MINIMUM PRESSURE

150kPa

MAXIMUM PRESSURE

500kPa (As per NZ Building Code AS/NZ 3500.1)

WELS RATING - MAINS

4 Star (6.5L/min)

PRESSURE

MAXIMUM TEMPERATURE

65°C

PLUMBING CONNECTION

15mm

Voda Plumbingware products are in full compliance with the requirements as set out in the New Zealand Building Code:

www.vodaplumbingware.co.nz/building-code-clauses/

This product is not subject to a warning or ban under section 26 of the Building Act 2004.

Specifications and dimensions correct at time of publication however are subject to change without notice.

Please refer to physical product prior to installation.

Installation instructions for this product are available from the product page on vodaplumbingware.co.nz