

Storm Double Head Shower



PRODUCT CODE

VST73RCH

COLOUR/FINISHES

Chrome

Brushed Black (PVD)
Brushed Gunmetal (PVD)
Brushed Copper (PVD)
Brushed Nickel (PVD)
Brushed Brass (PVD)

FEATURES

3 Function Handpiece
Built in diverter
Interchangeable Inlet/diverter position

DRENCHER DIMENSIONS

250mm Diameter

PRESSURE TYPE

Mains Pressure only

MINIMUM PRESSURE

150kPa

MAXIMUM PRESSURE

500kPa (As per NZ Building Code AS/NZ 3500.1)

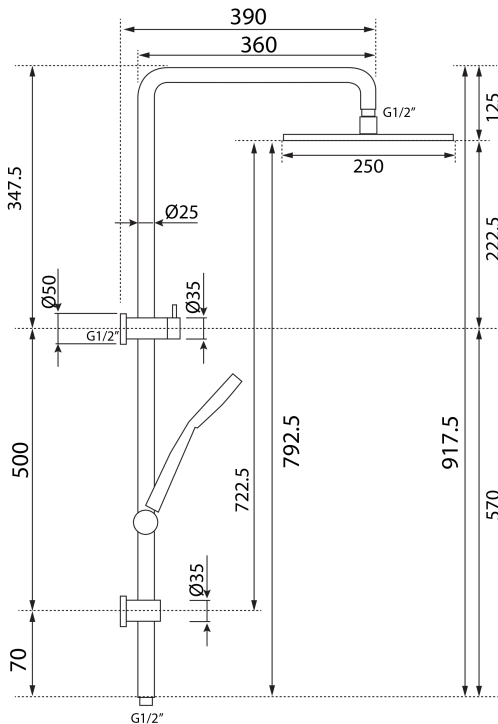
WELS RATING - MAINS

3 Star (8.5L/min)

PRESSURE

MAXIMUM TEMPERATURE

65°C



Voda Plumbingware products are in full compliance with the requirements as set out in the New Zealand Building Code:

www.vodaplumbingware.co.nz/building-code-clauses/

This product is not subject to a warning or ban under section 26 of the Building Act 2004.

Specifications and dimensions correct at time of publication however are subject to change without notice.

Please refer to physical product prior to installation.

Installation instructions for this product are available from the product page on vodaplumbingware.co.nz