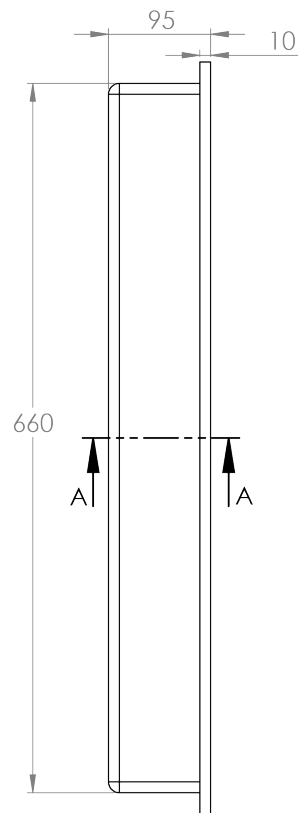
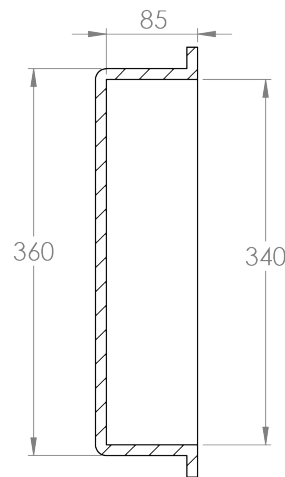


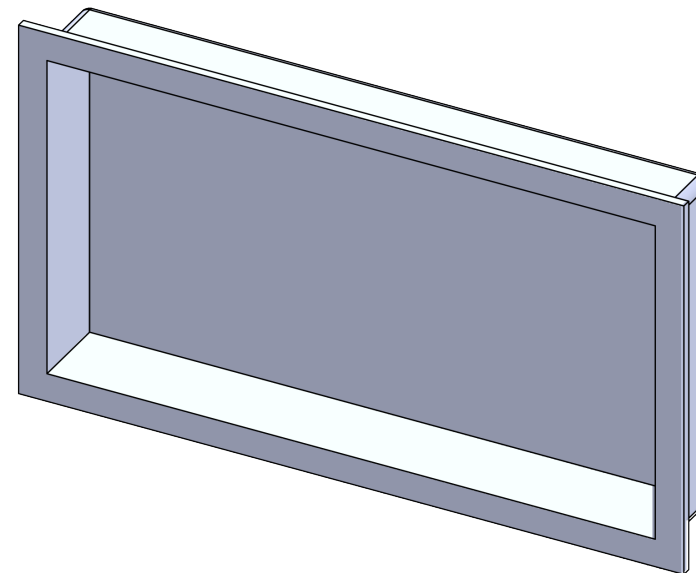
Front Elevation



Plan View



SECTION A-A



Trimetric

crest
showers

WN 640
WALL NICHE 640 X 340